

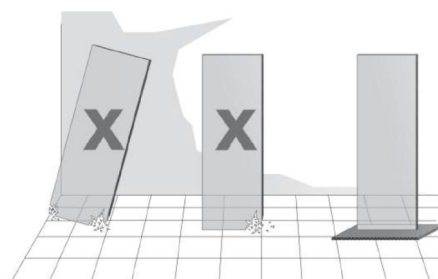
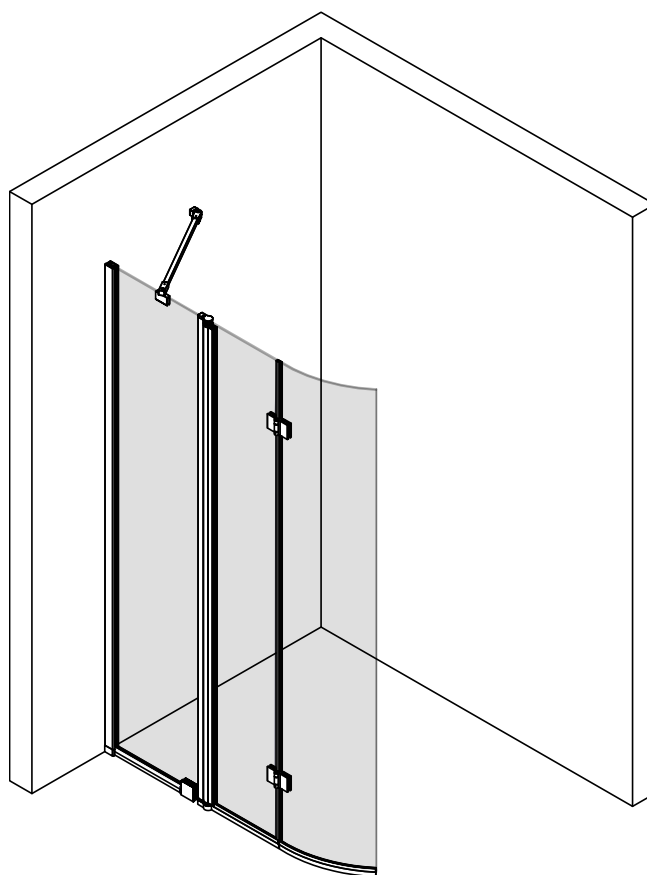
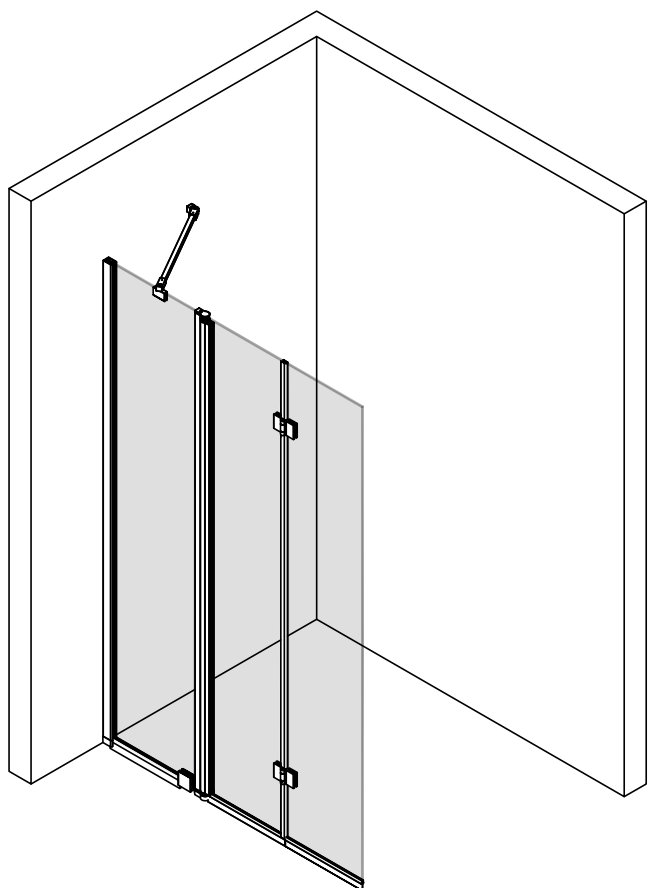


HIETAKARI®

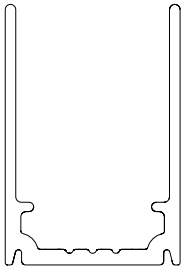


8/25 9YRLM

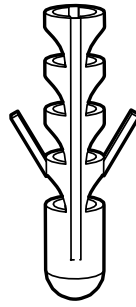
INFINIA 215, 225



Parts

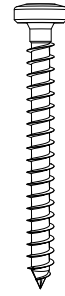


1. x1



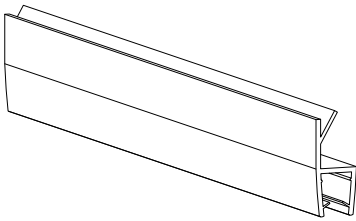
4/83 13RLM

2. 6x30 mm
X5



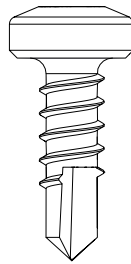
4/83 11RLM

3. 4.5x44 mm
x5



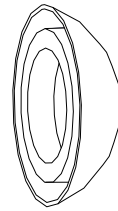
1/42 L0RL2

4. x1



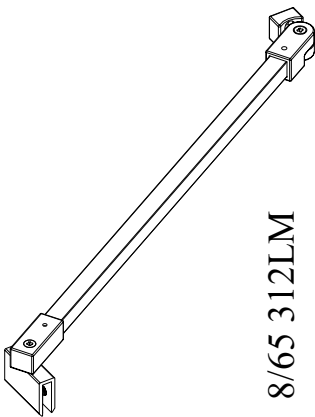
4/83 24RLM

5. x4



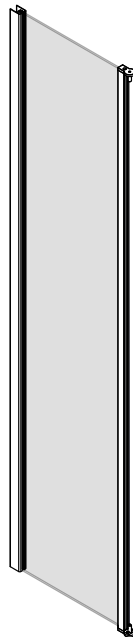
4/83 23RLM

6. x4

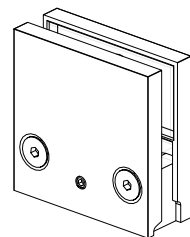


8/65 312LM

7. x1

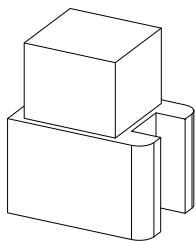


8. x1



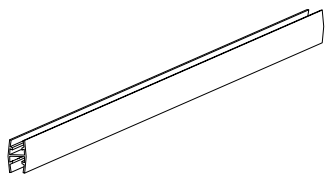
8/65 242LM

9. x1



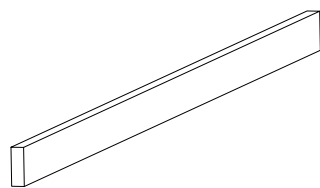
4/83 A28LM

10. x1



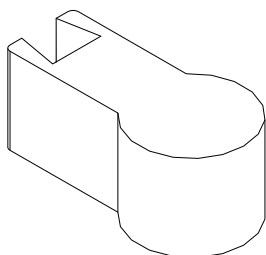
1/42 B0RLM

11. x1



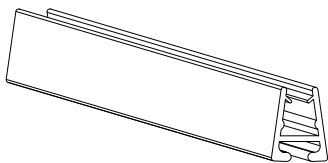
4/83 618LM

12. x1



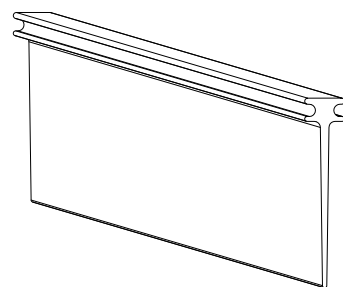
4/83 A18LM

13. x1



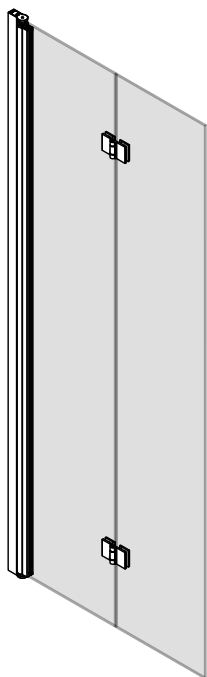
1/42 60RLM

14. x1



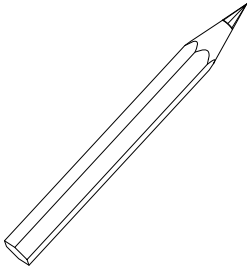
8/45 11RLM

15. x1

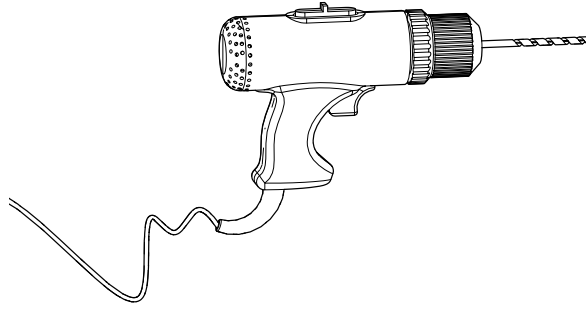


16. x1

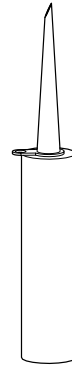
Tools



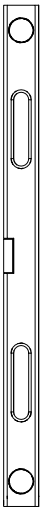
A



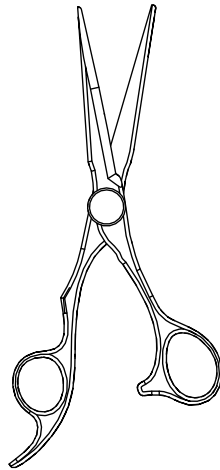
Ø6 mm
B



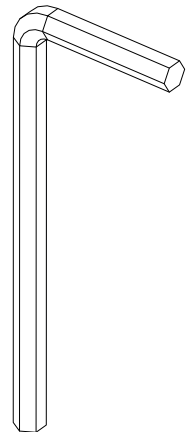
C – Silicone
D – Glue



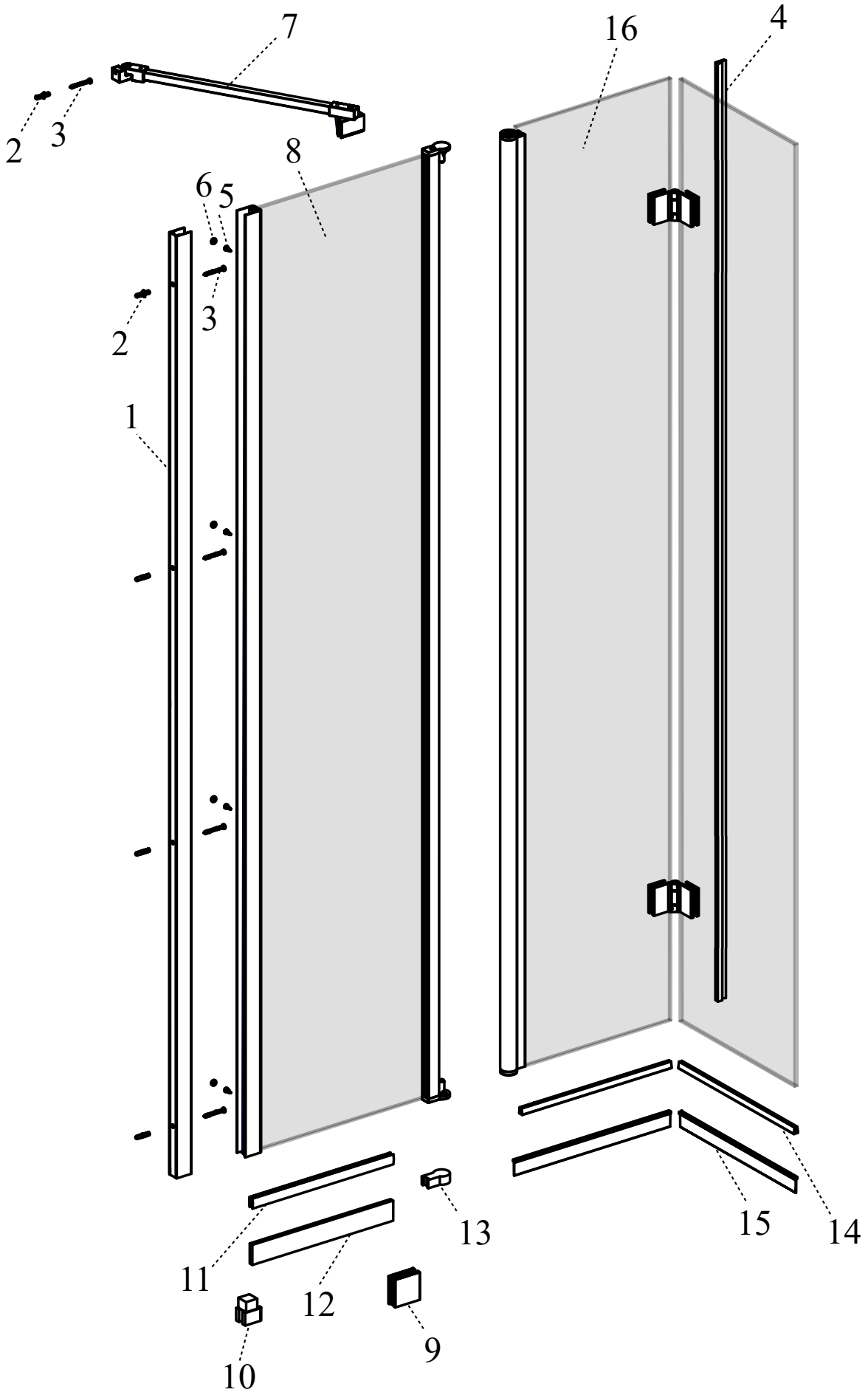
E



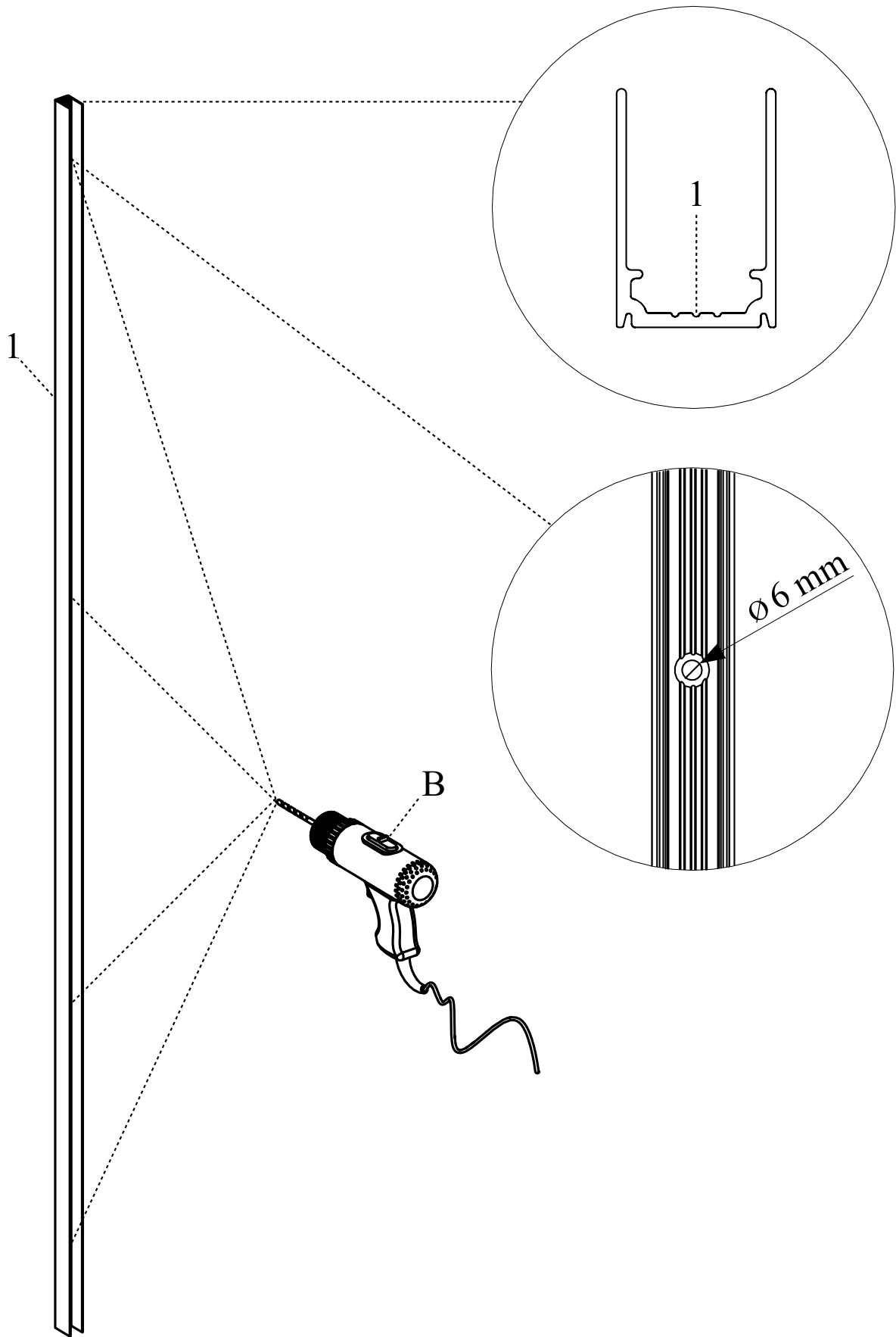
F



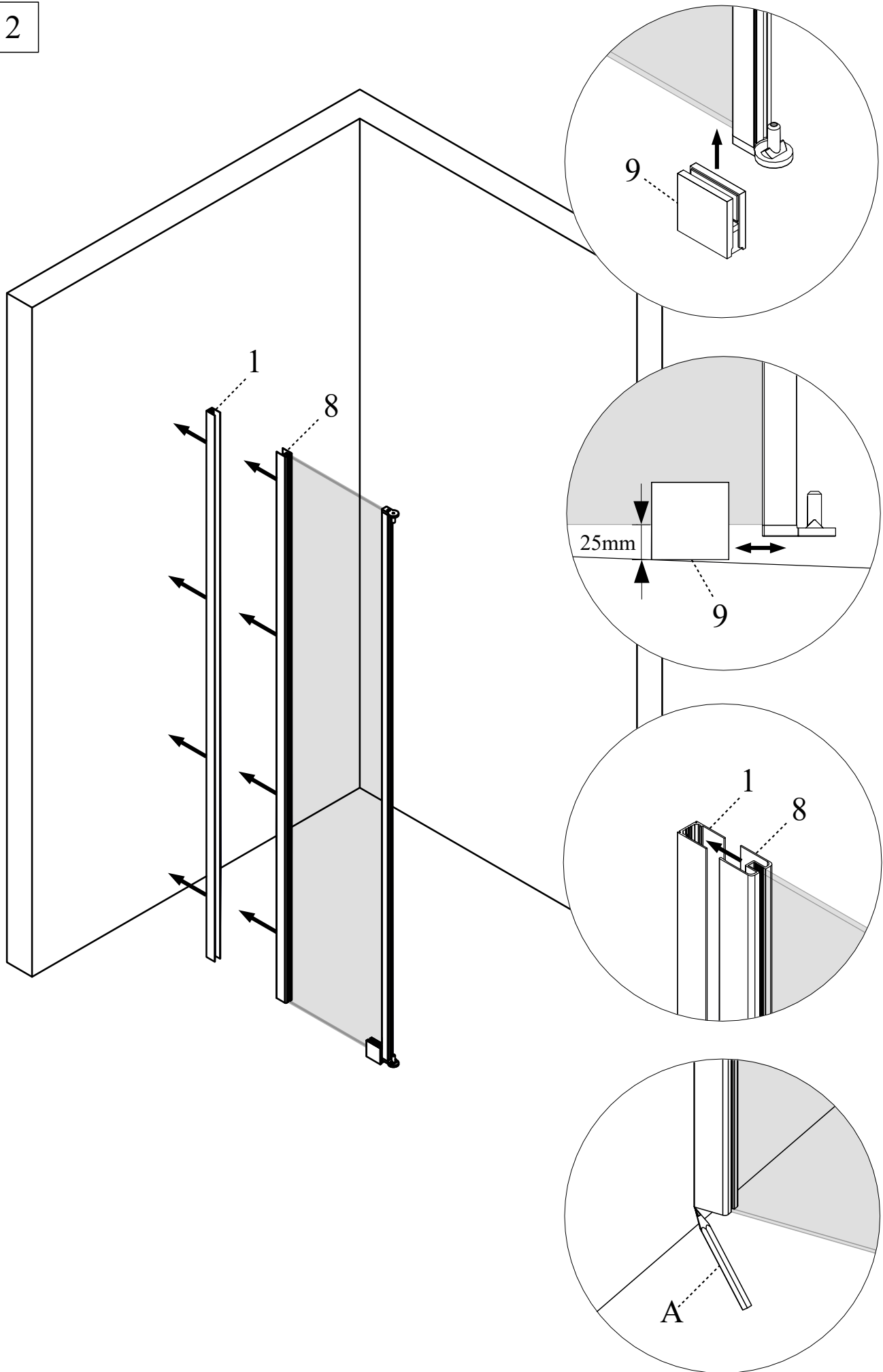
G



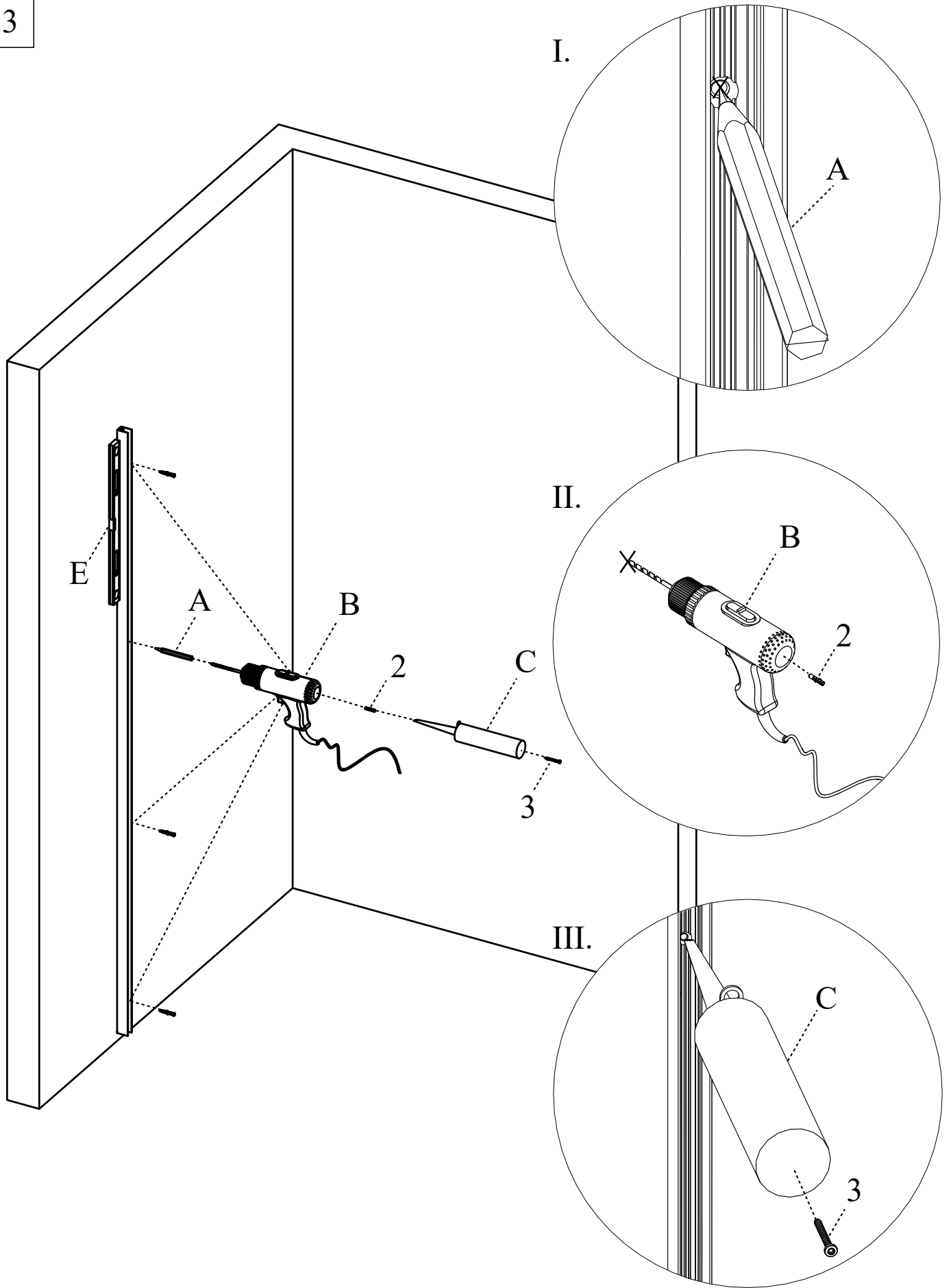
1



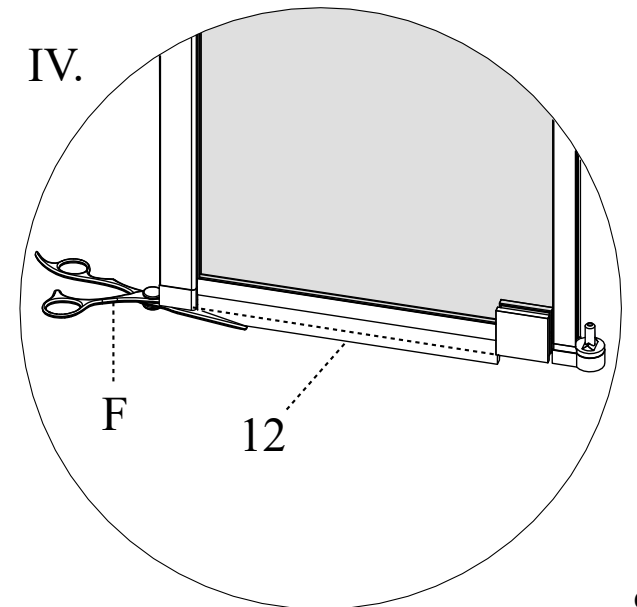
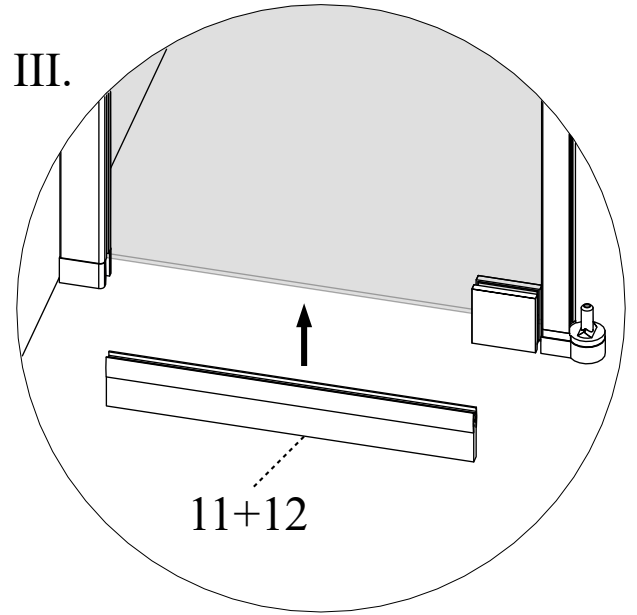
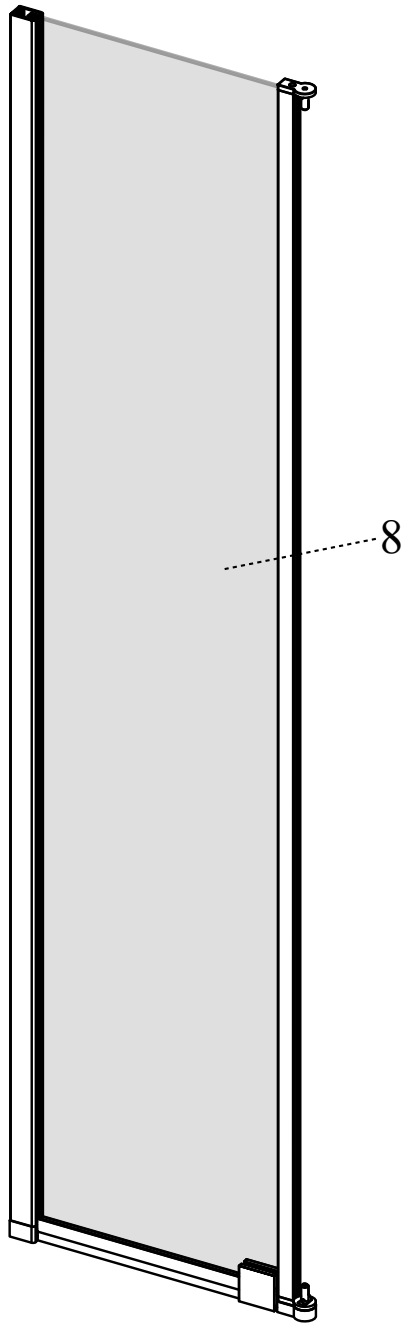
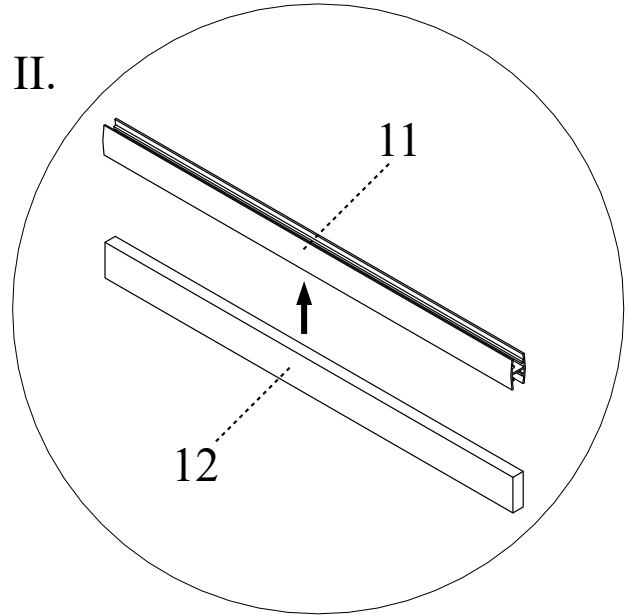
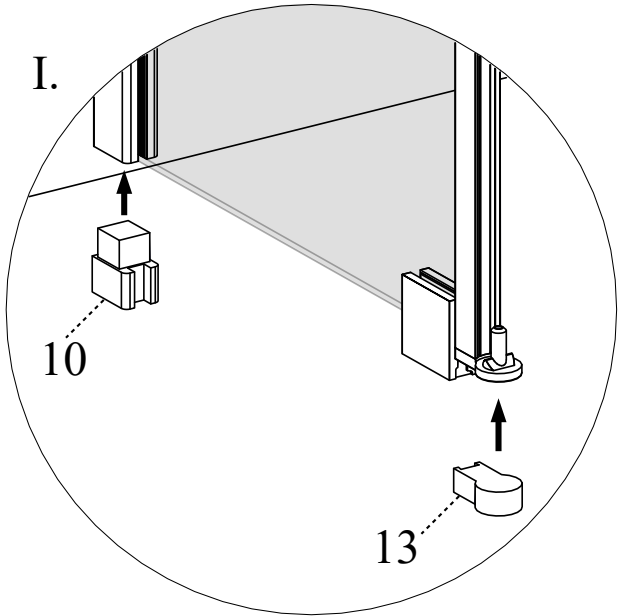
2



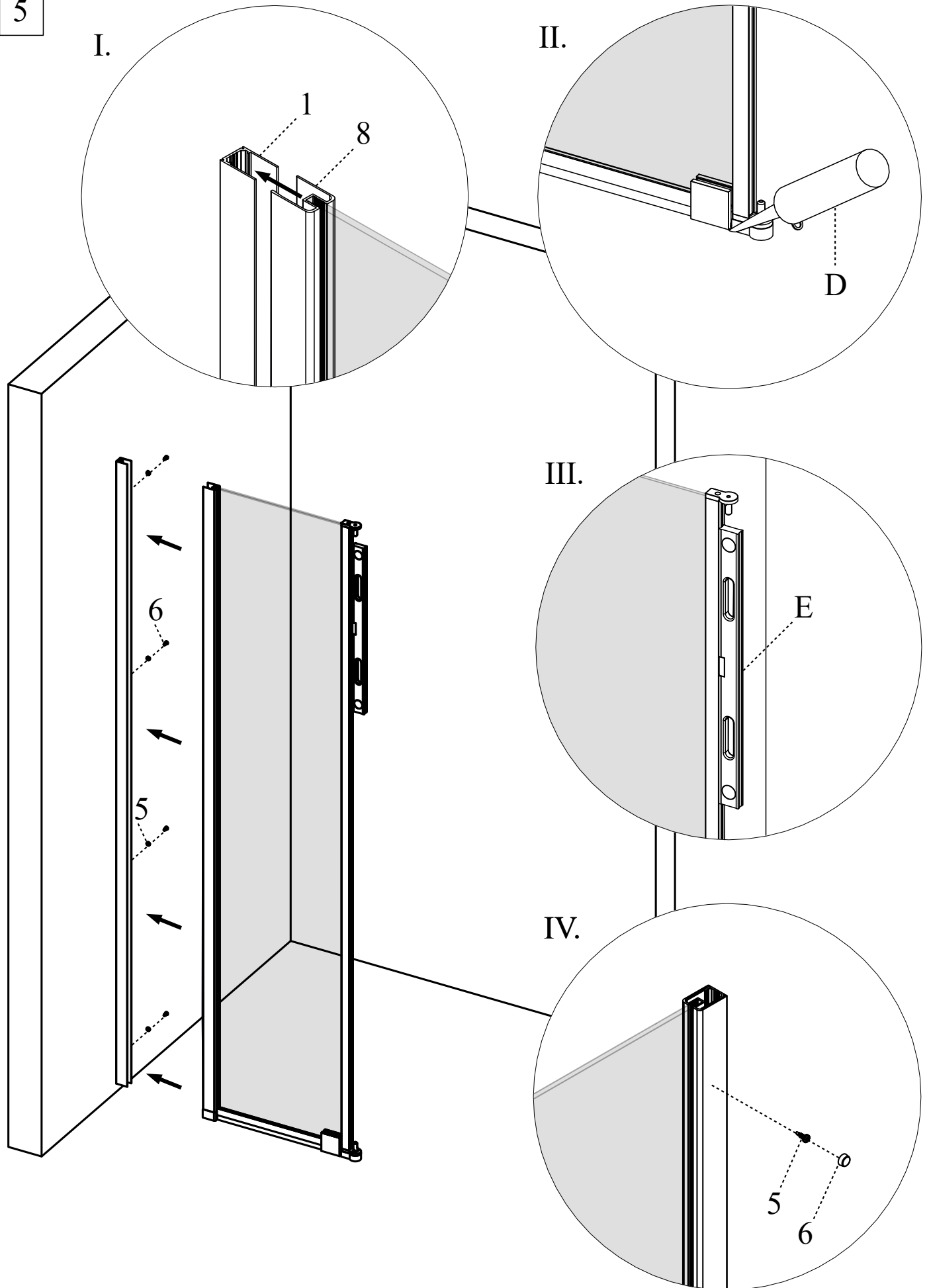
3



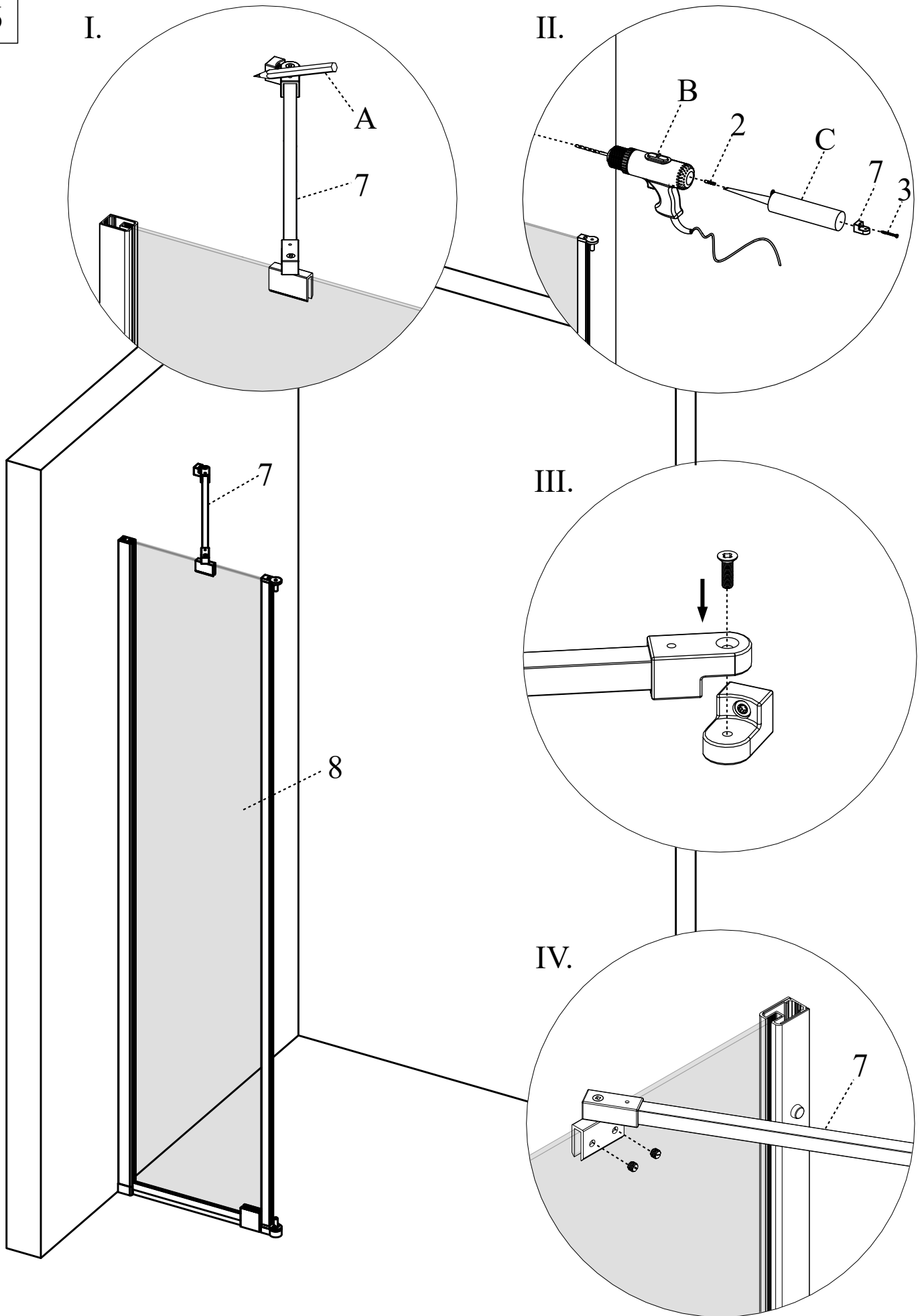
4



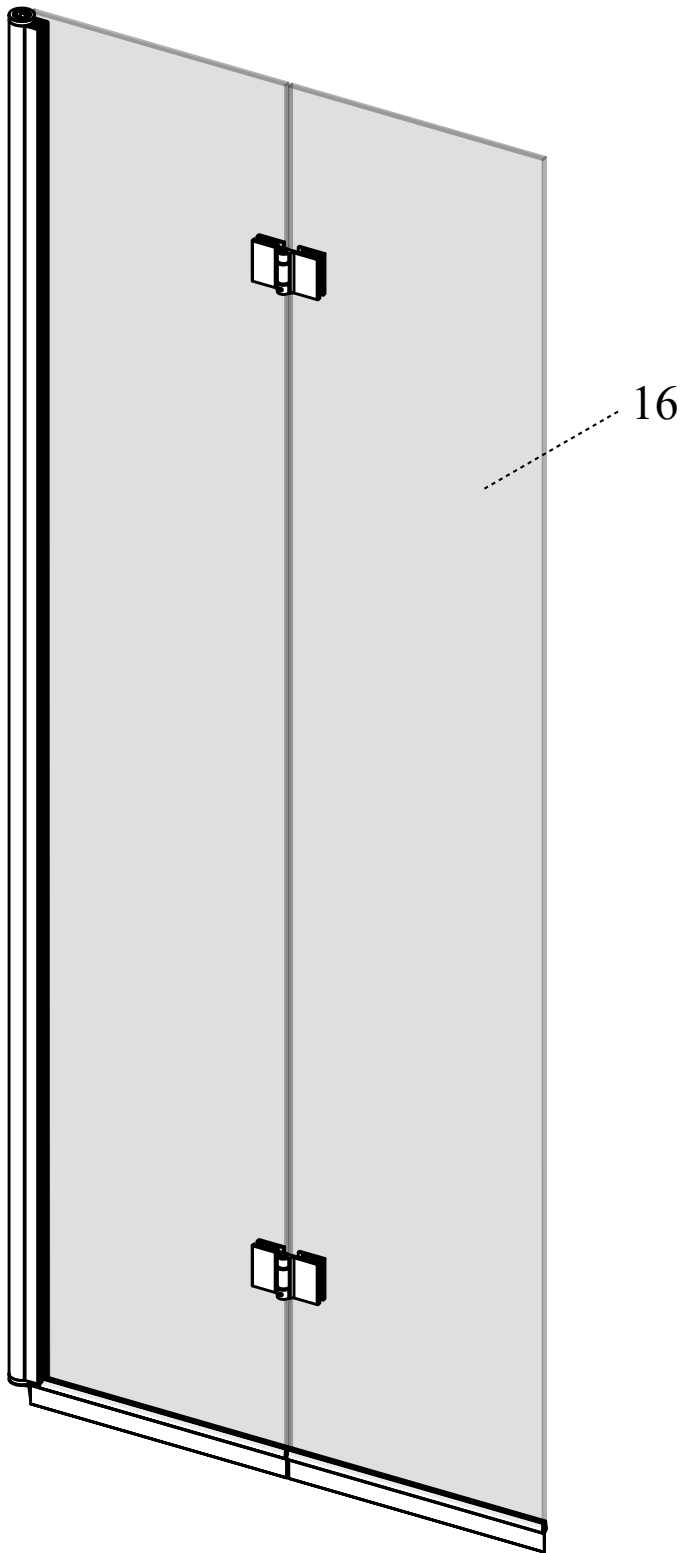
5



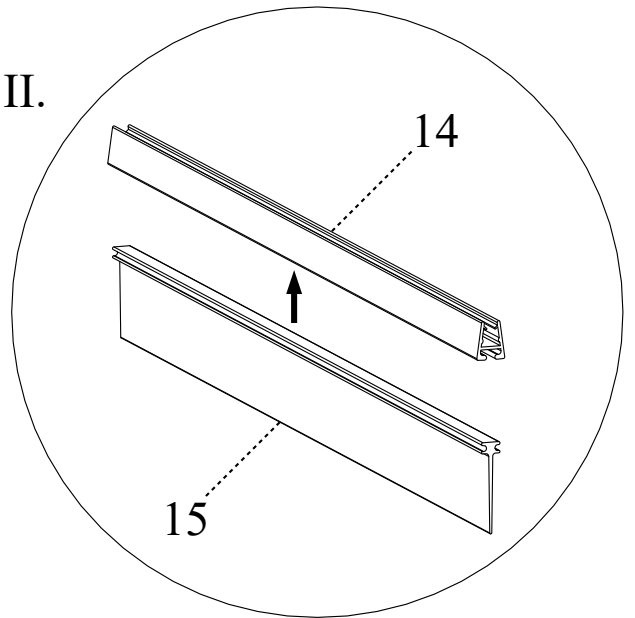
6



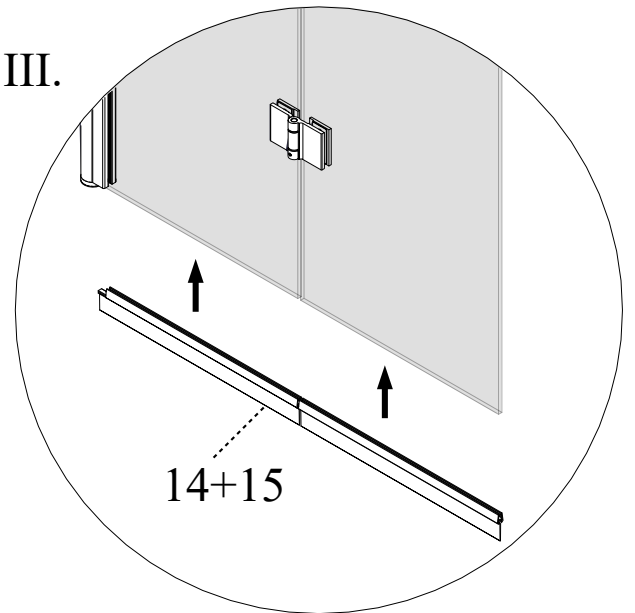
7



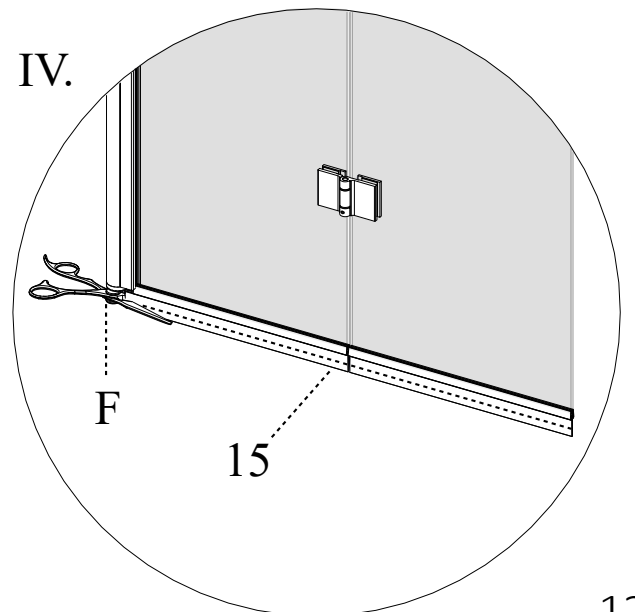
II.



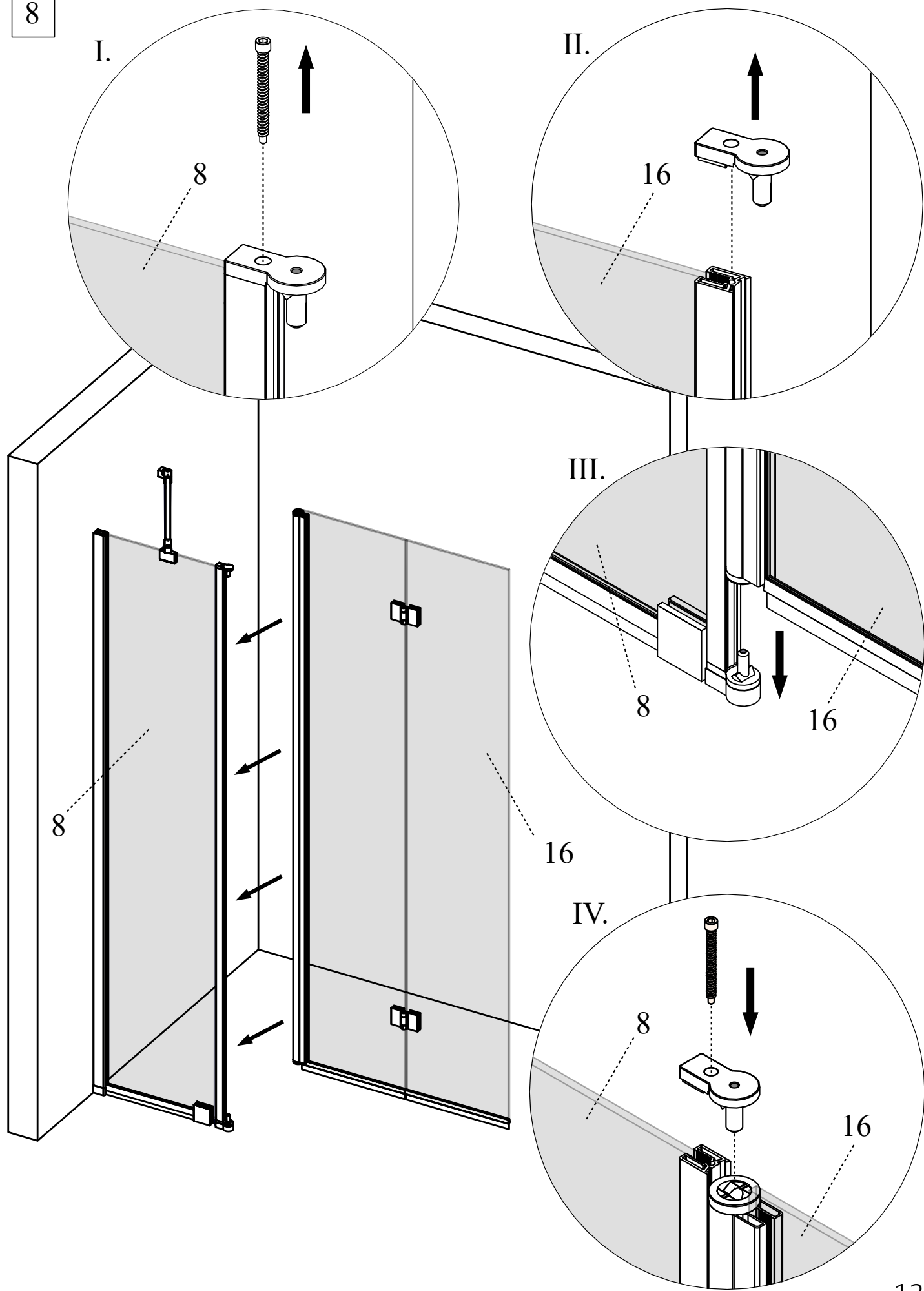
III.



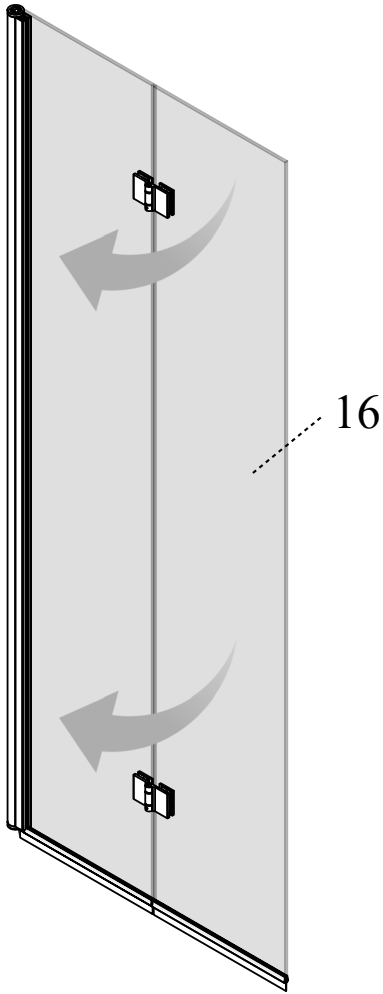
IV.



8



I.



II.

