

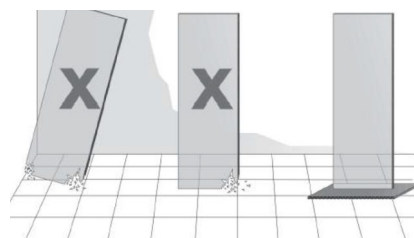
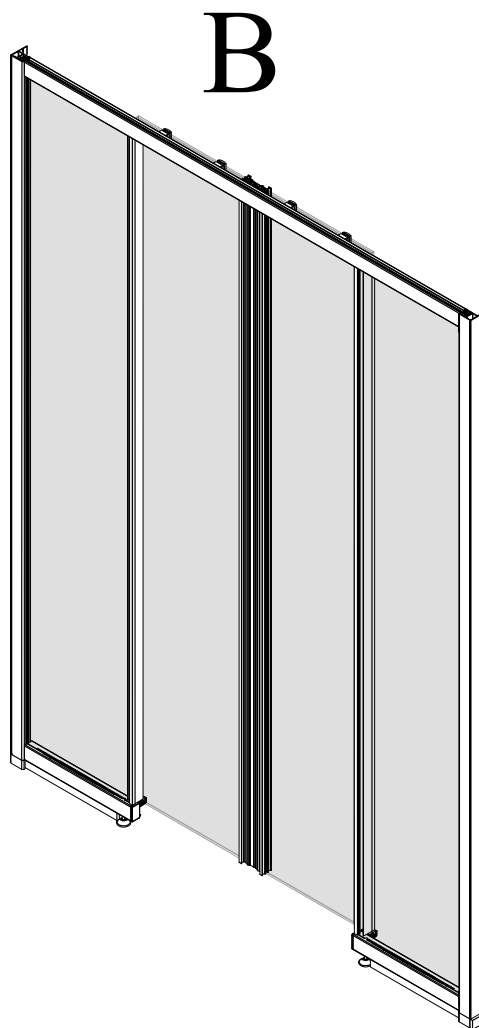
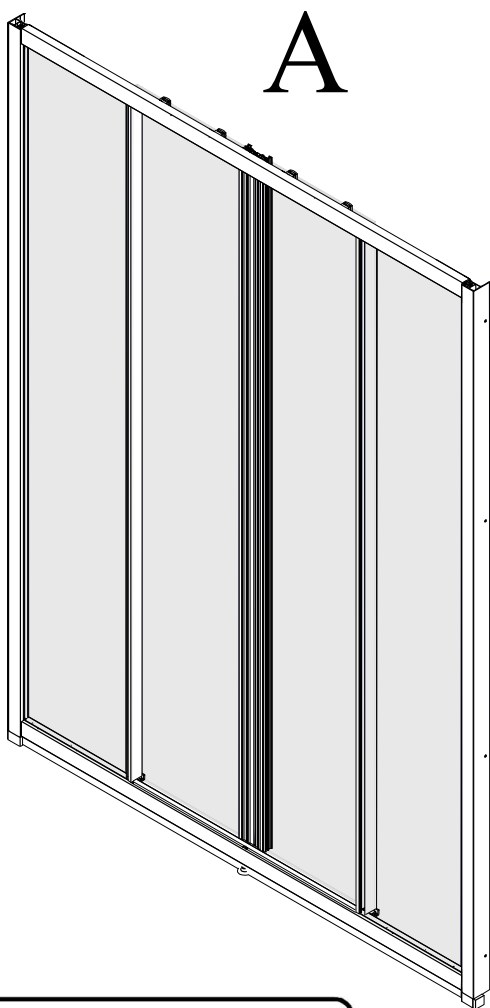


HIETAKARI®

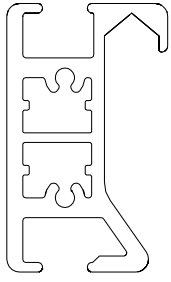


8/25 72RLM

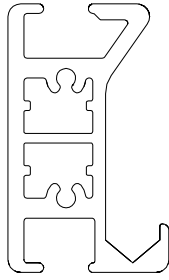
INFINIA 454



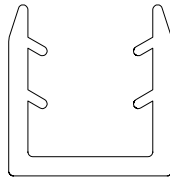
Parts



1. x1

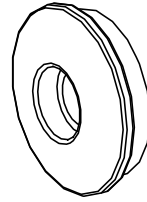


2. x1
(x2 B)



3. x4

1/41 E0RLM

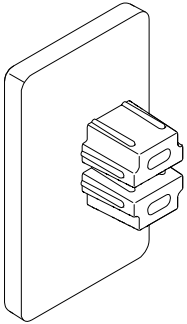


4/83 42RLM



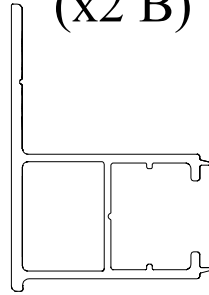
4/83 11RLM

5. 3.5x39 mm
x8

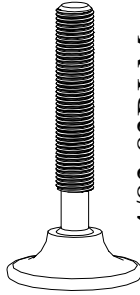


4/83 94RLM

6. x2 (x0 A)

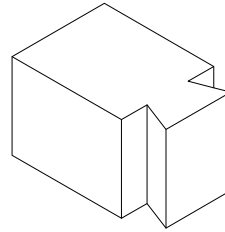


7. x2



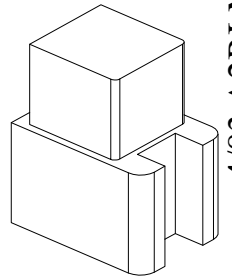
4/83 83RLM

8. x1 (x2 B)



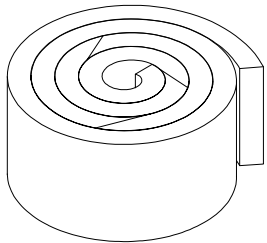
4/83 A3RLM

9. x2



4/83 A2RLM

10. x2



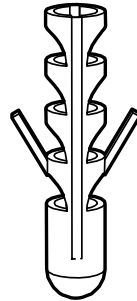
4/83 61RLM

11. x1



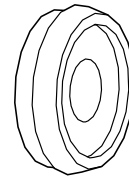
4/83 31RLM

12. 4.5x44 mm
x8



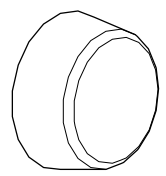
4/83 13RLM

13. 6x30 mm
x8



4/83 22RLM

14. x16



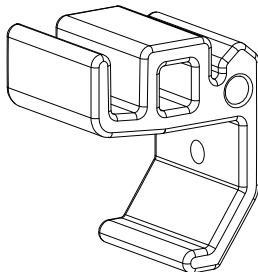
4/83 23RLM

15. x16



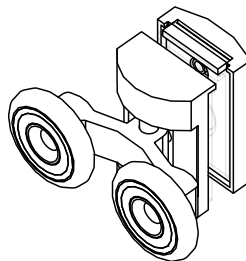
4/83 24RLM

16. 4.2x13 mm
x14



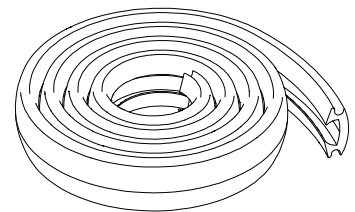
4/83 97RLM

17. x2



4/83 70RLM

18. x4



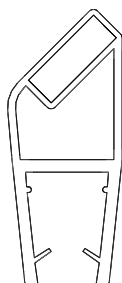
4/83 52RLM

19. x1



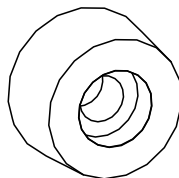
1/42 10RLM

20. x4



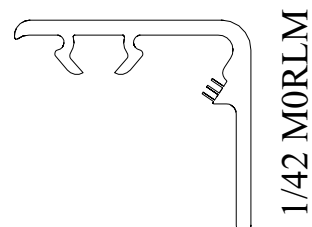
1/42 50RLM

21. x2



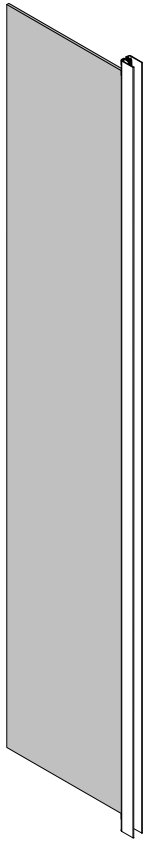
4/83 30RLM

22. x4

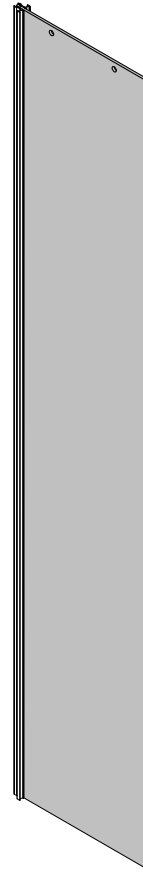


1/42 M0RLM

23. x1

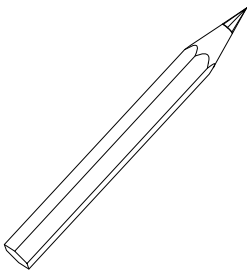


24. x2

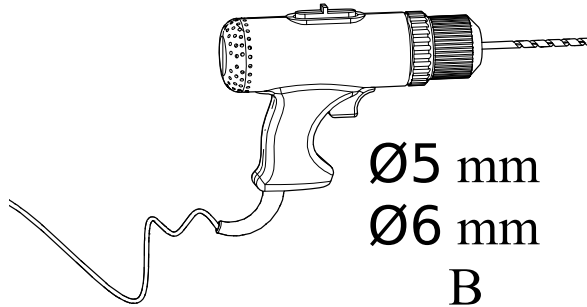


25. x2

Tools



A



Ø5 mm

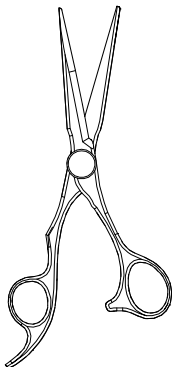
Ø6 mm

B



Silicone

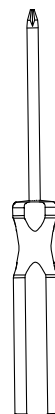
C



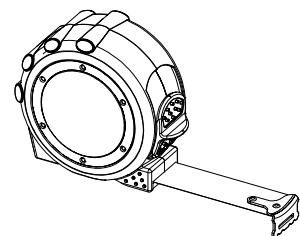
D



E

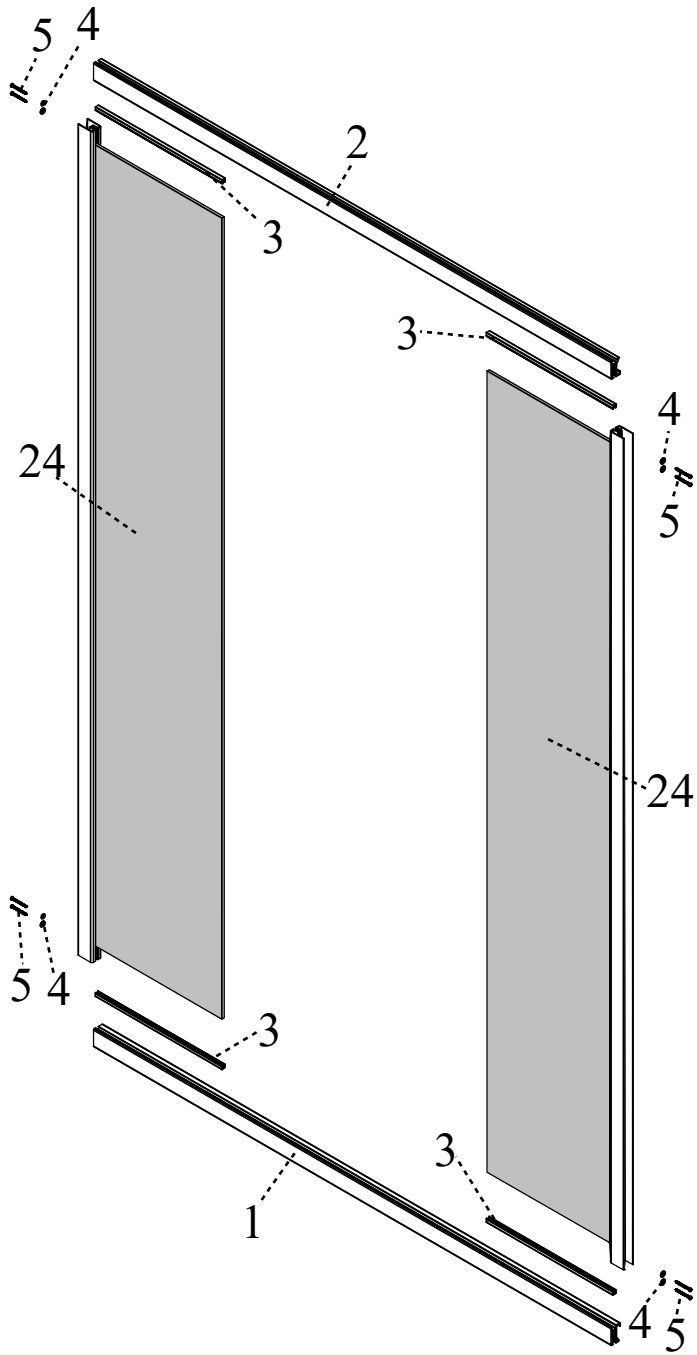


F

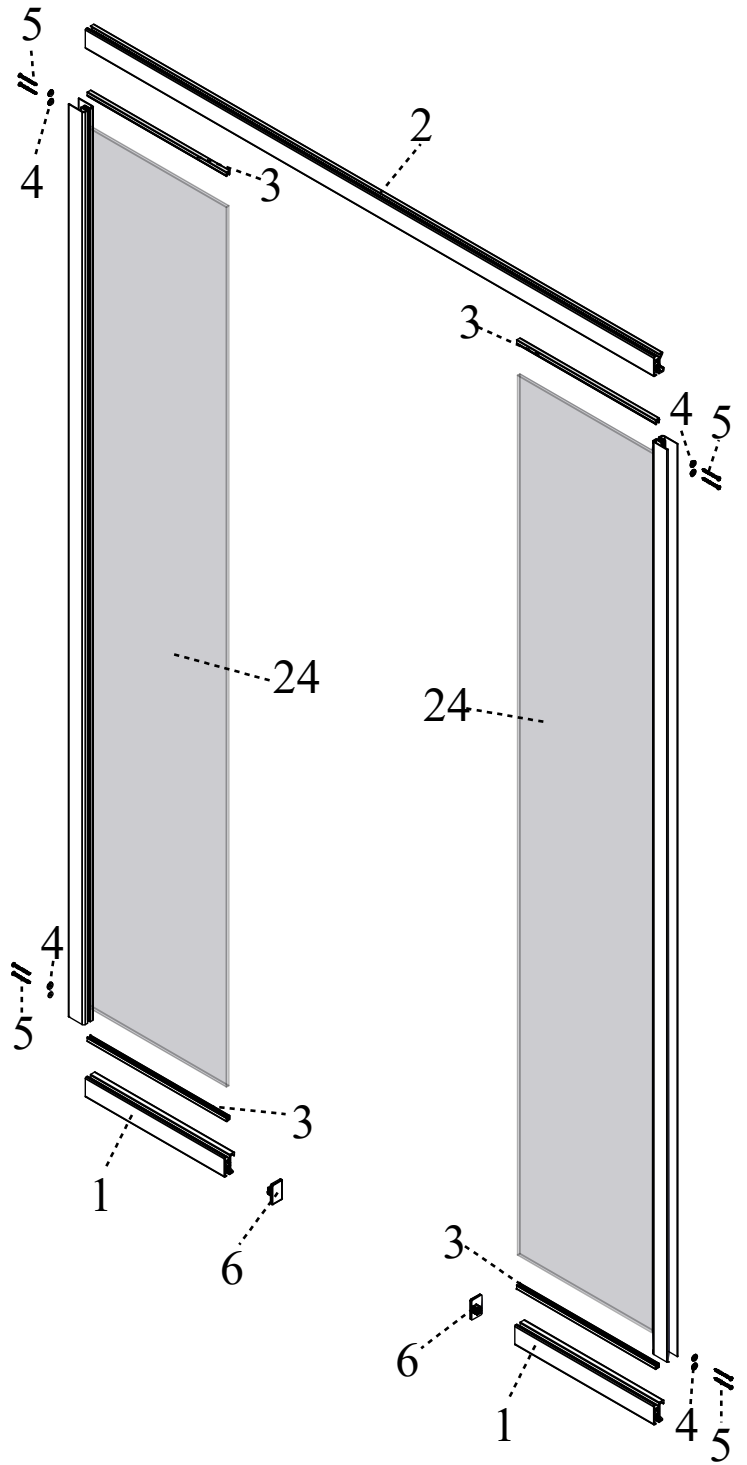


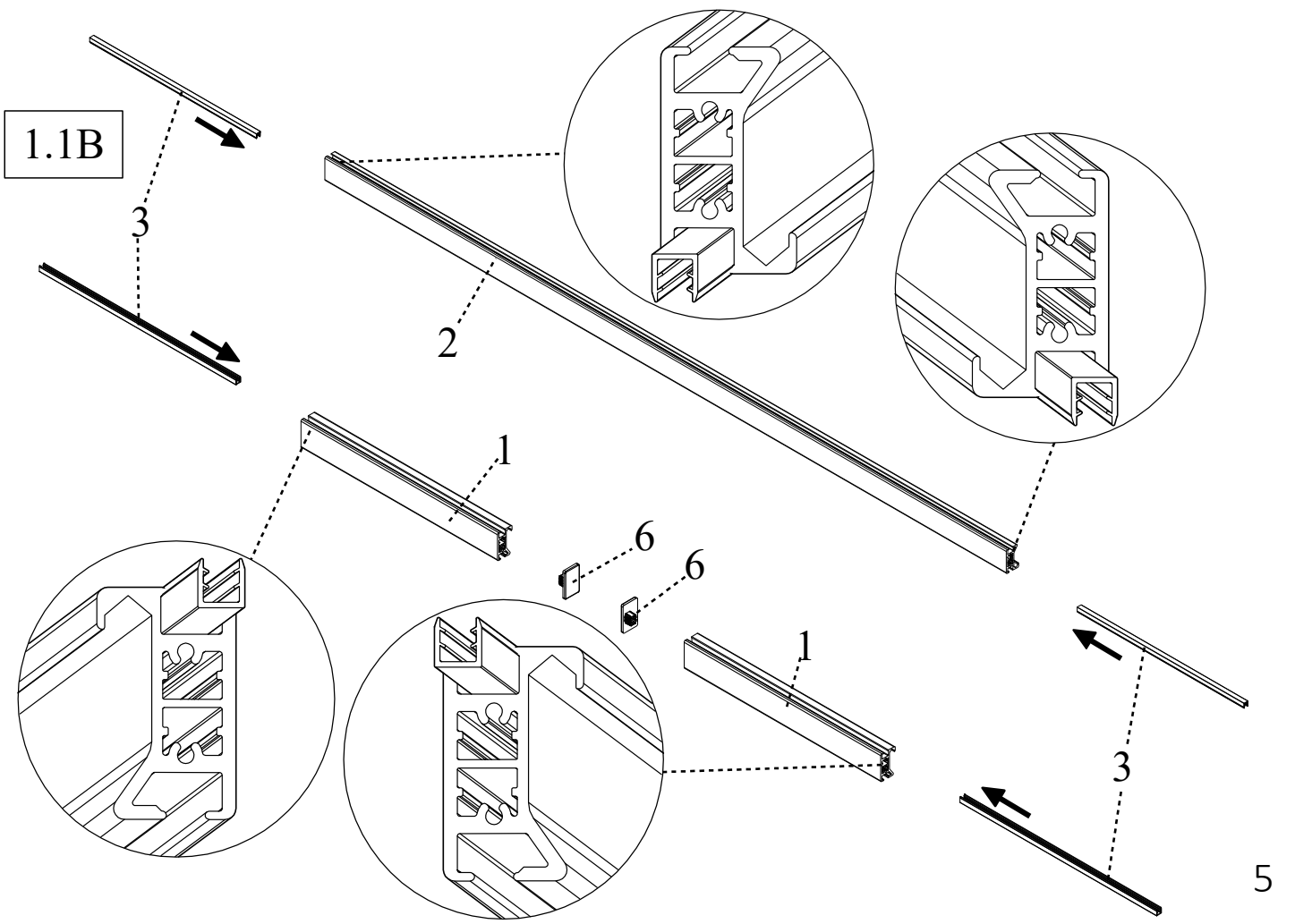
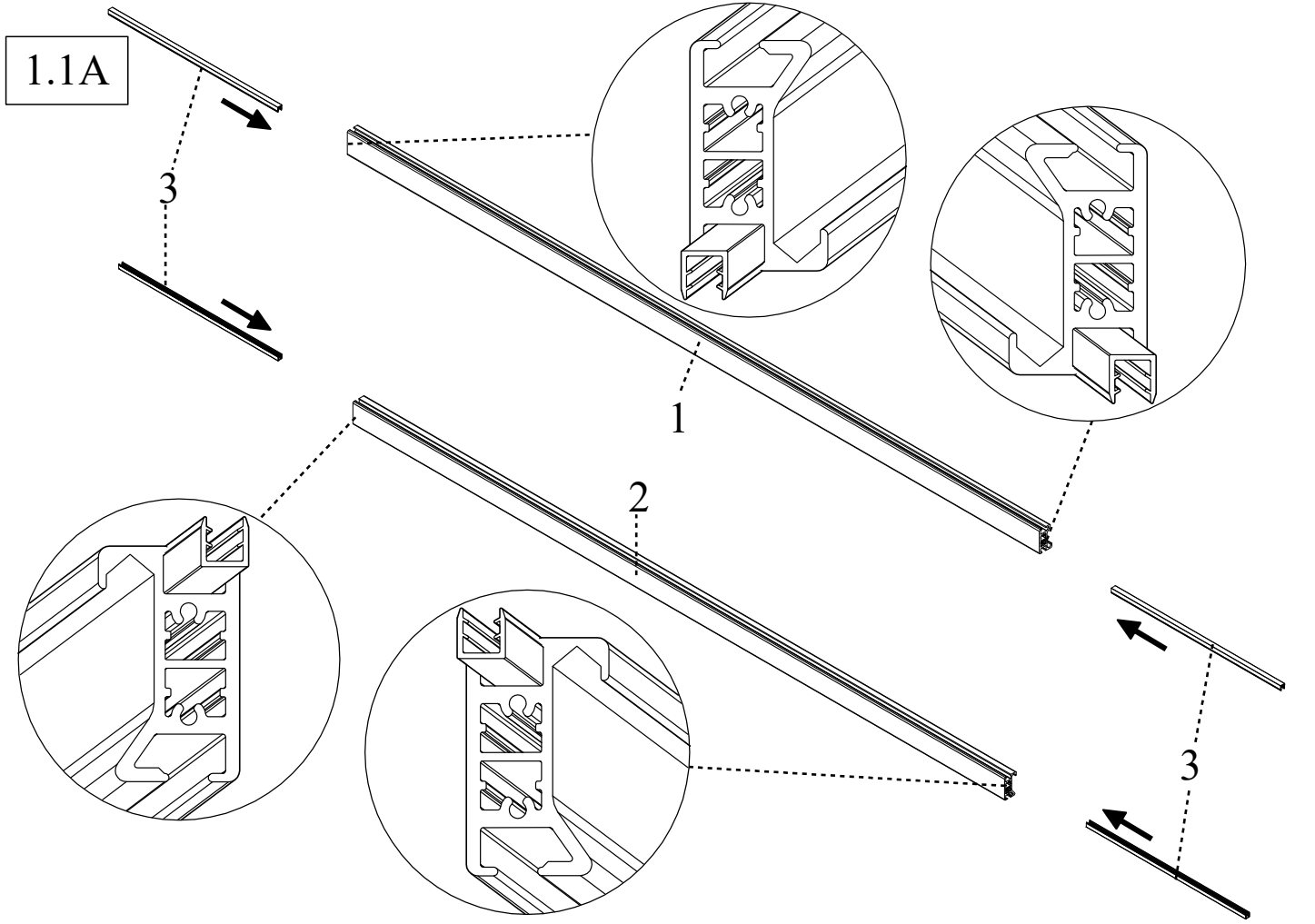
G

STEP 1/3 A

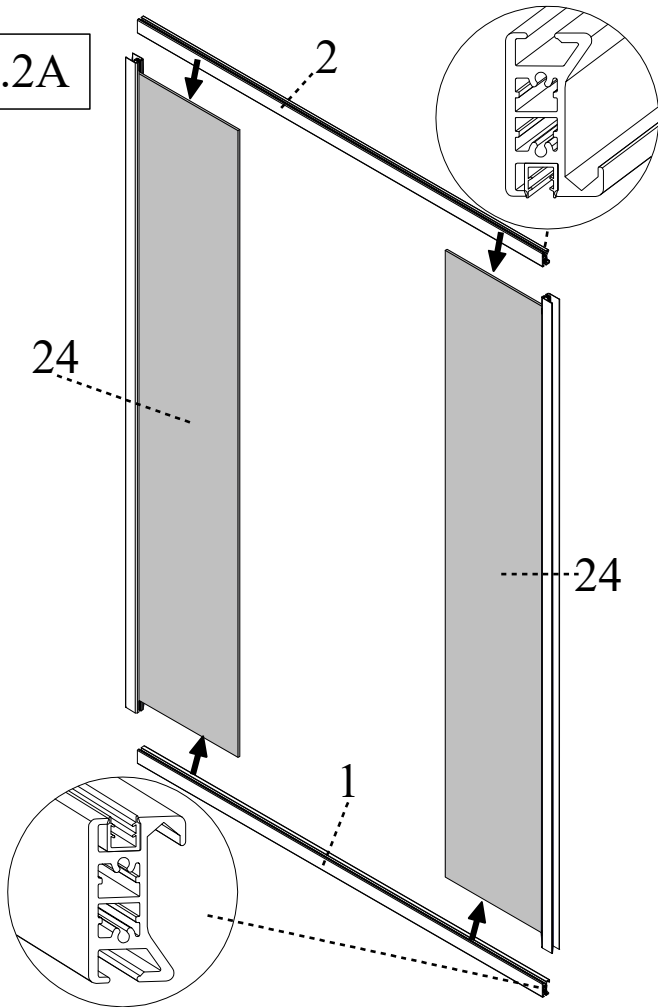


STEP 1/3 B

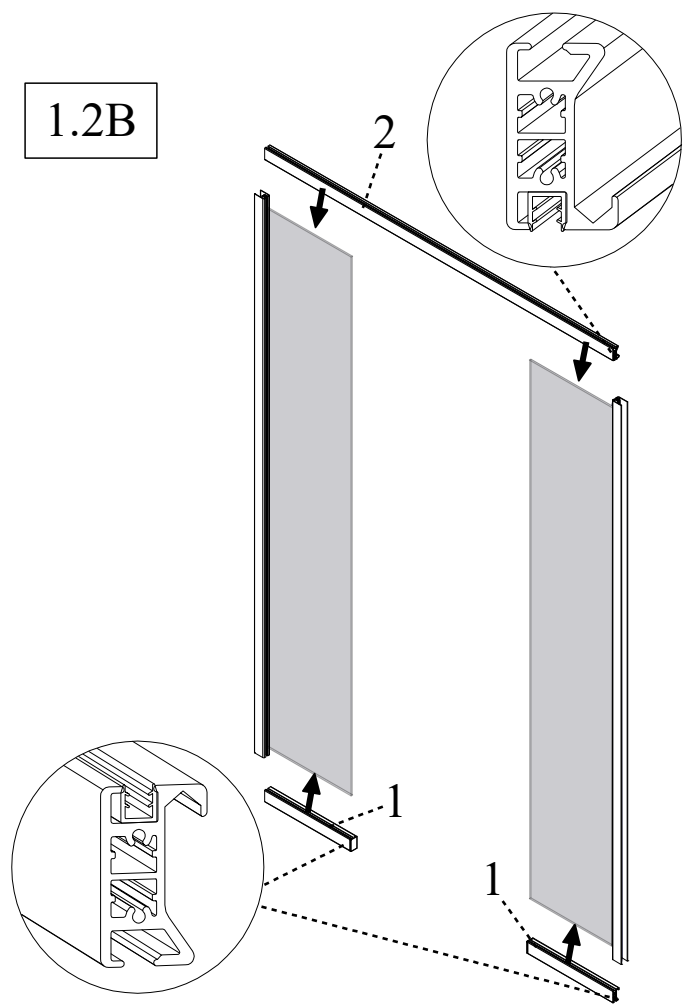




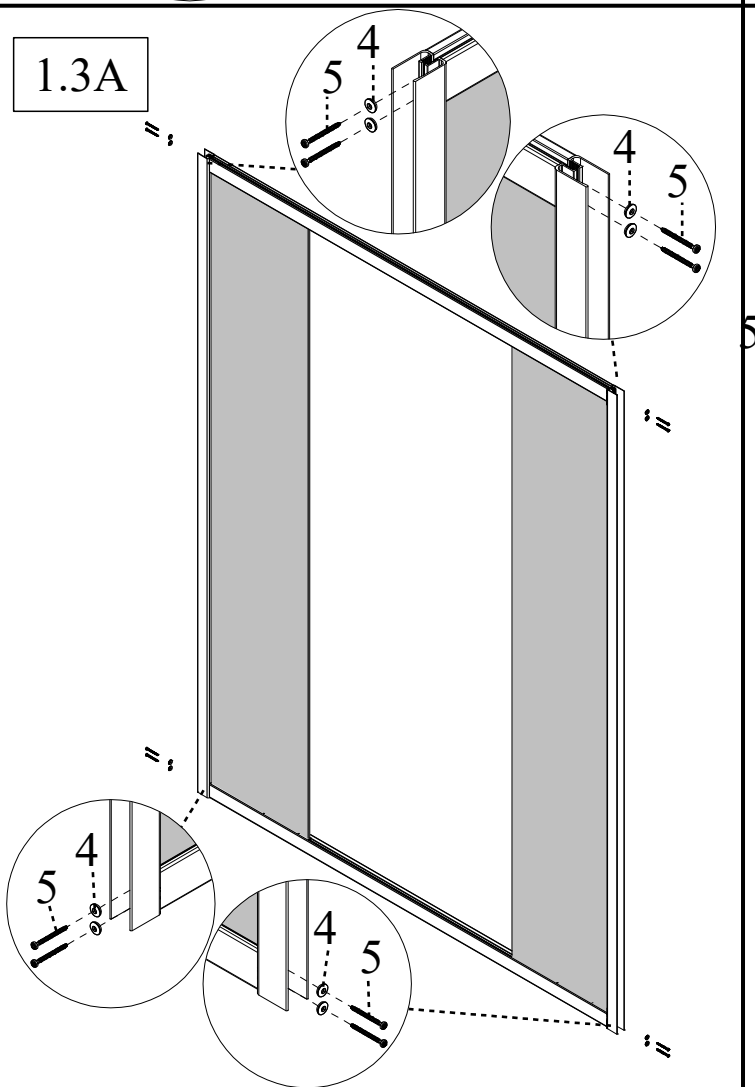
1.2A



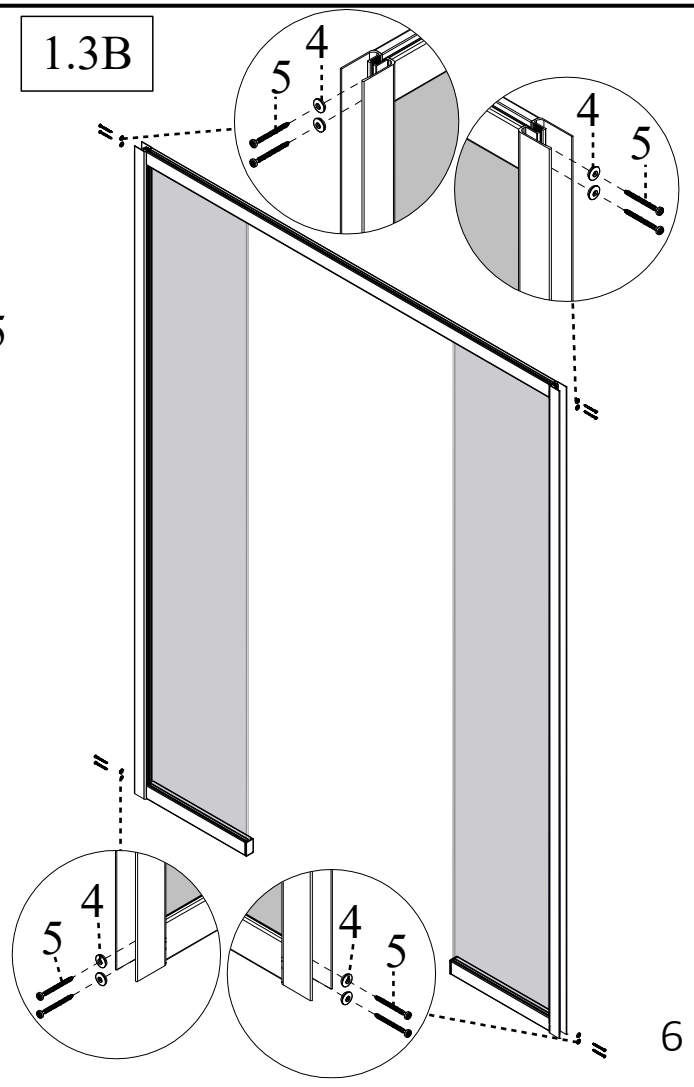
1.2B



1.3A

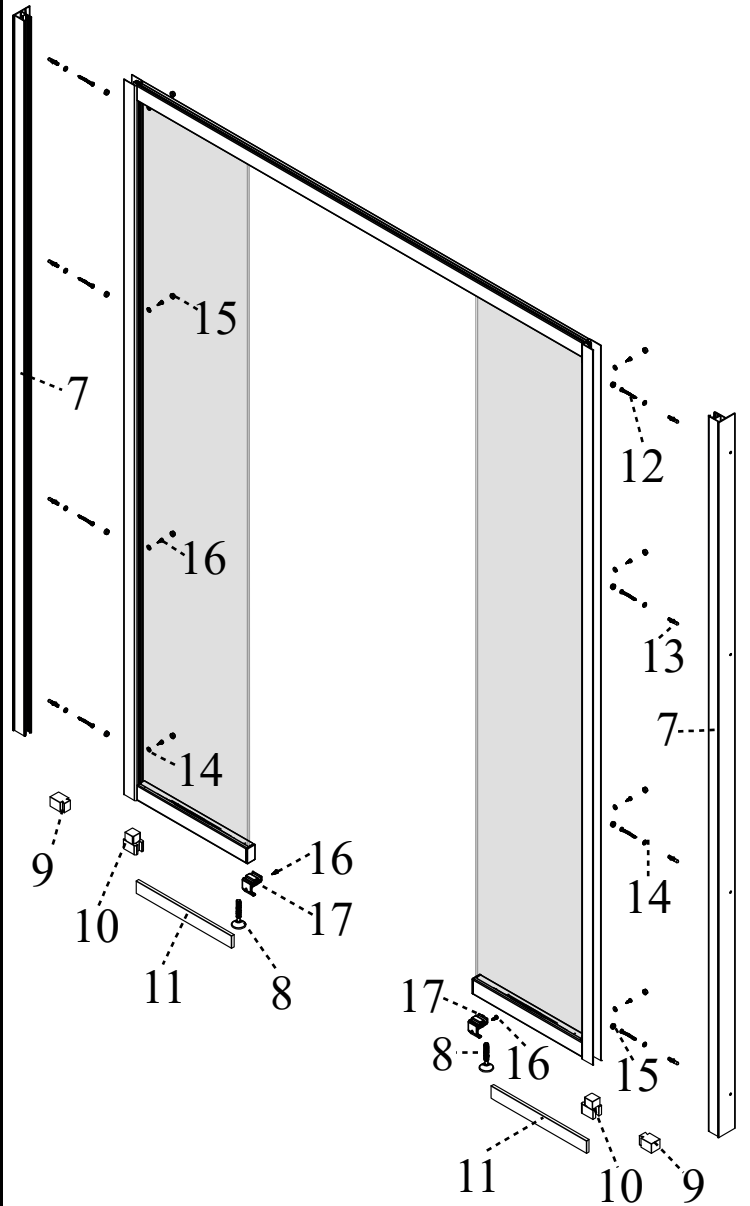
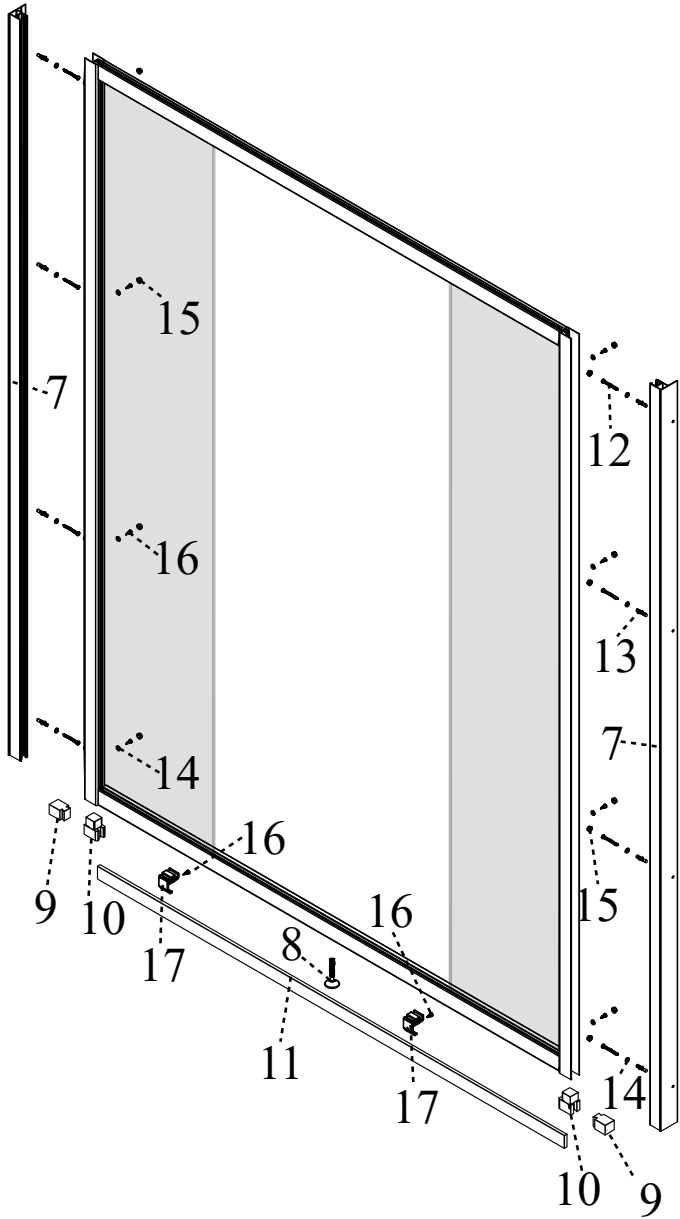


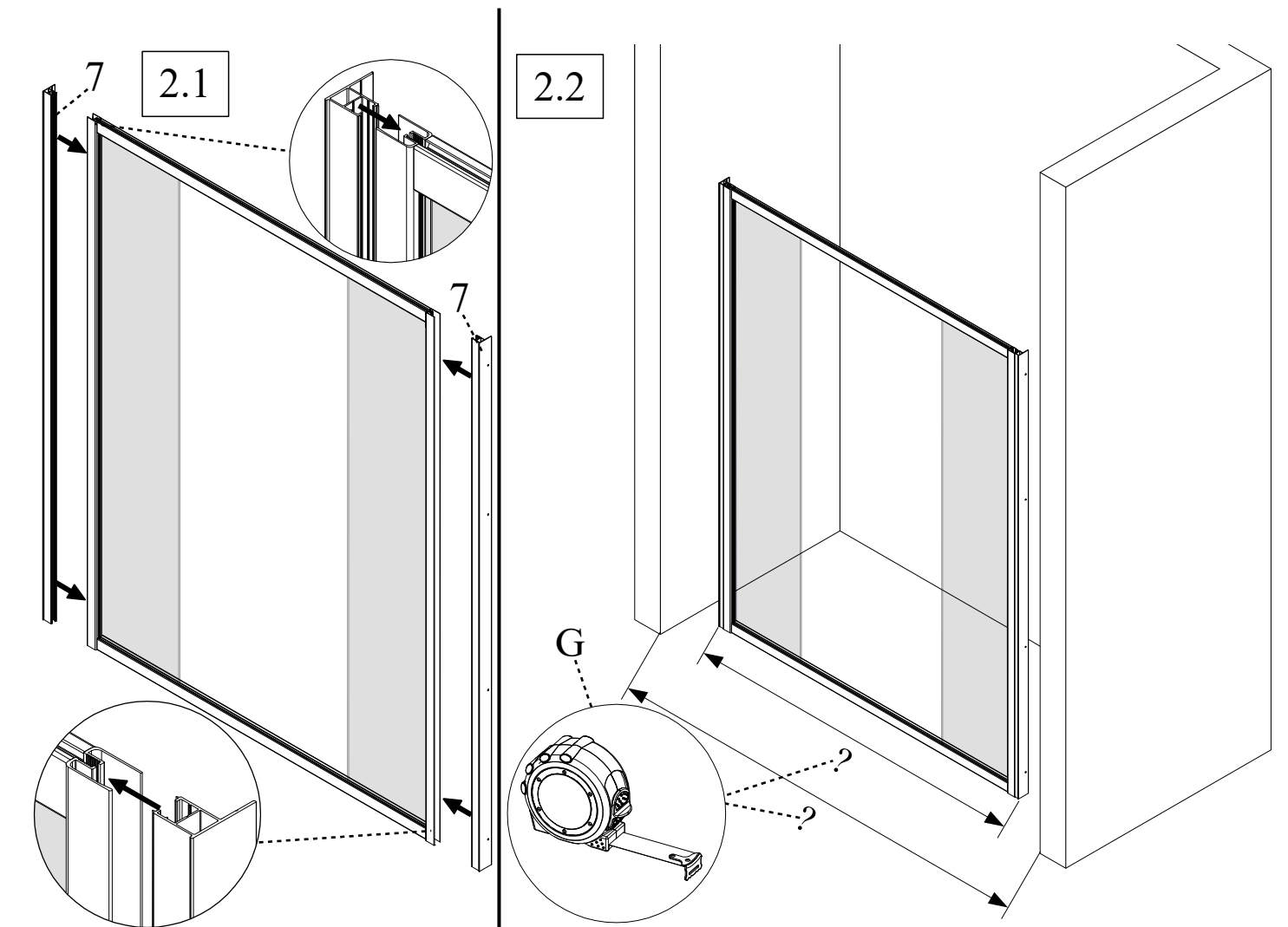
1.3B



STEP 2/3 A

STEP 2/3 B

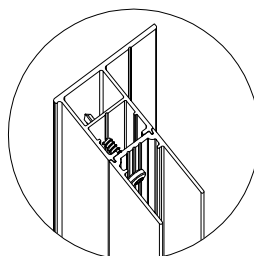
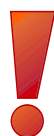
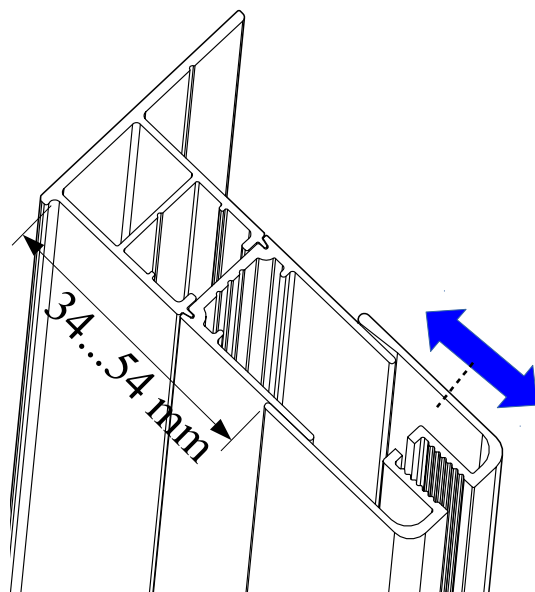
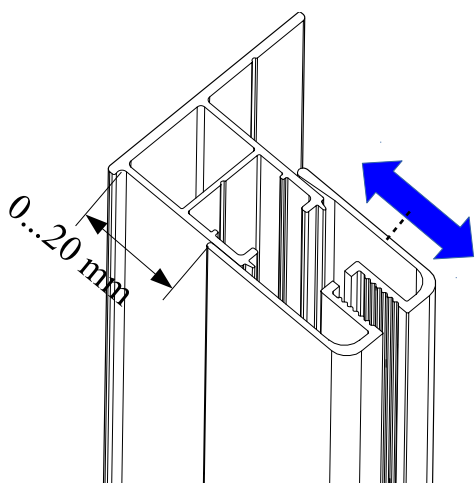




2.3

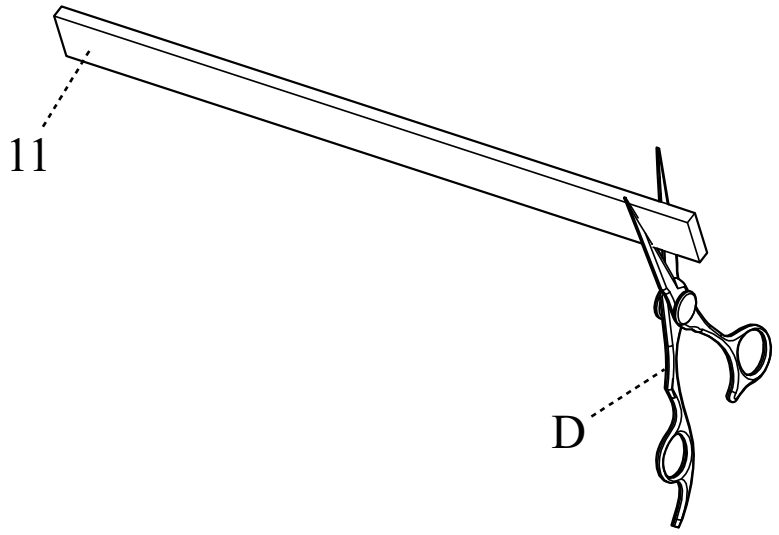
0 min...20 max

34 min...54 max

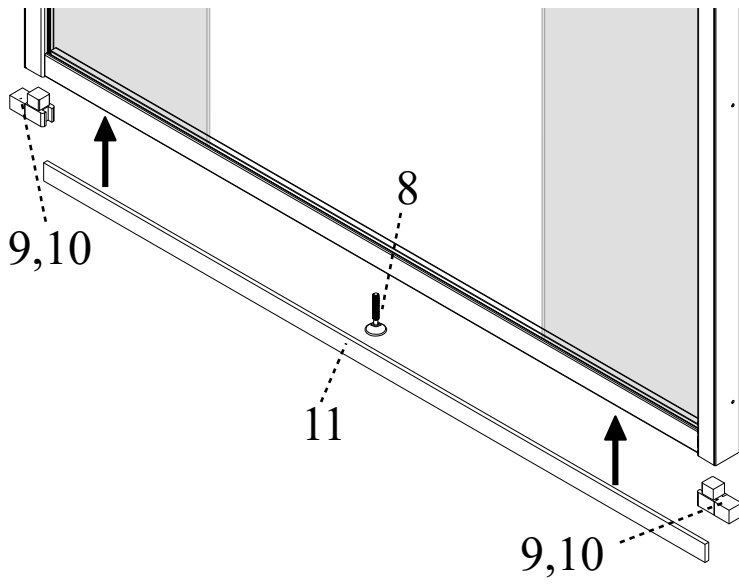


(EXTRA, Page 20-21)

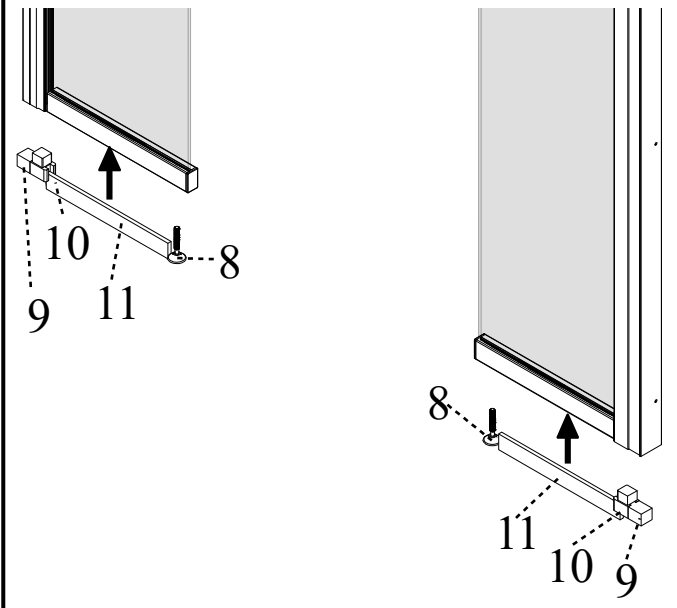
2.4



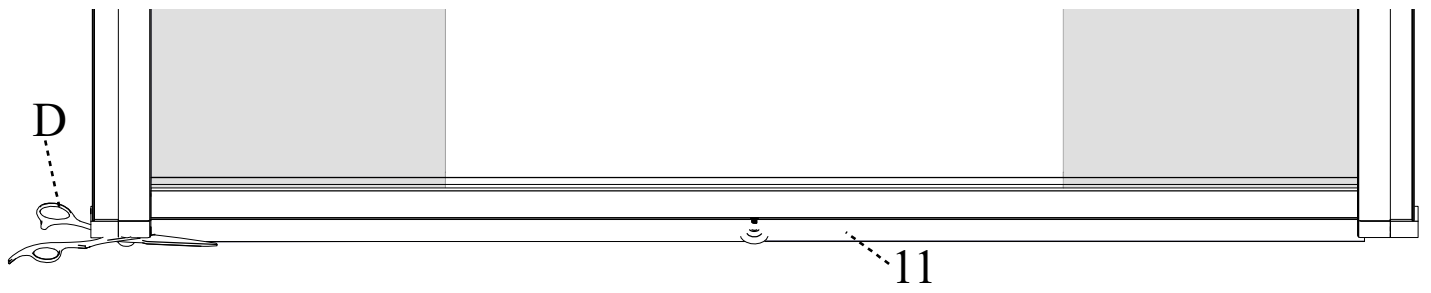
2.5A



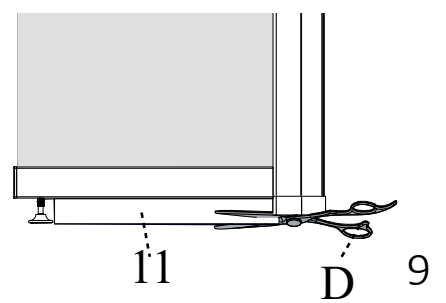
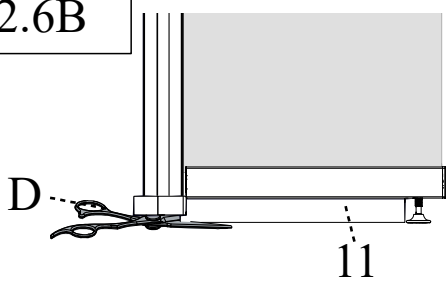
2.5B



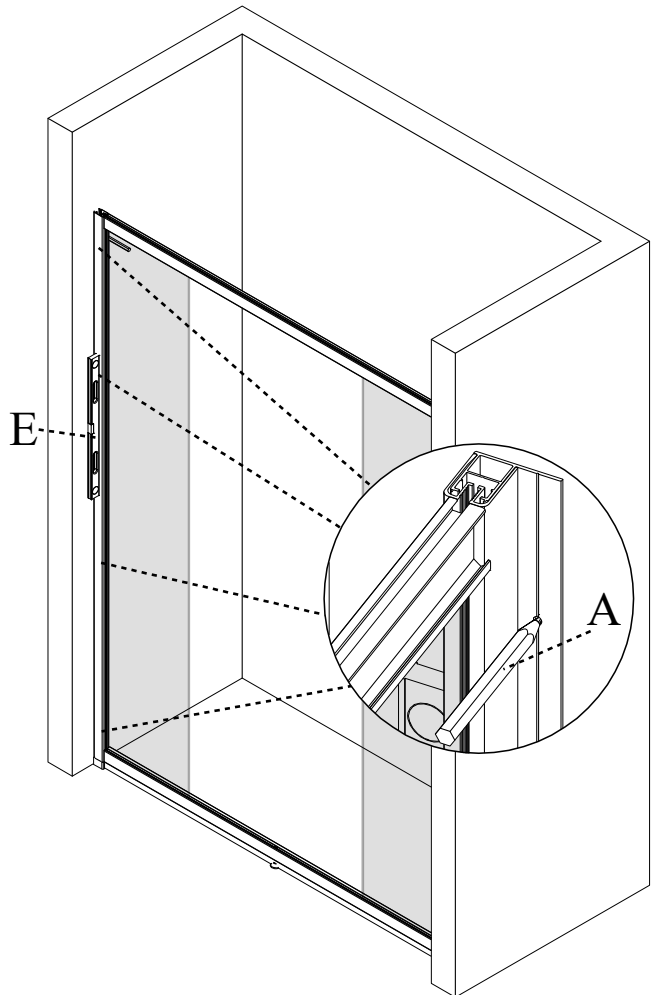
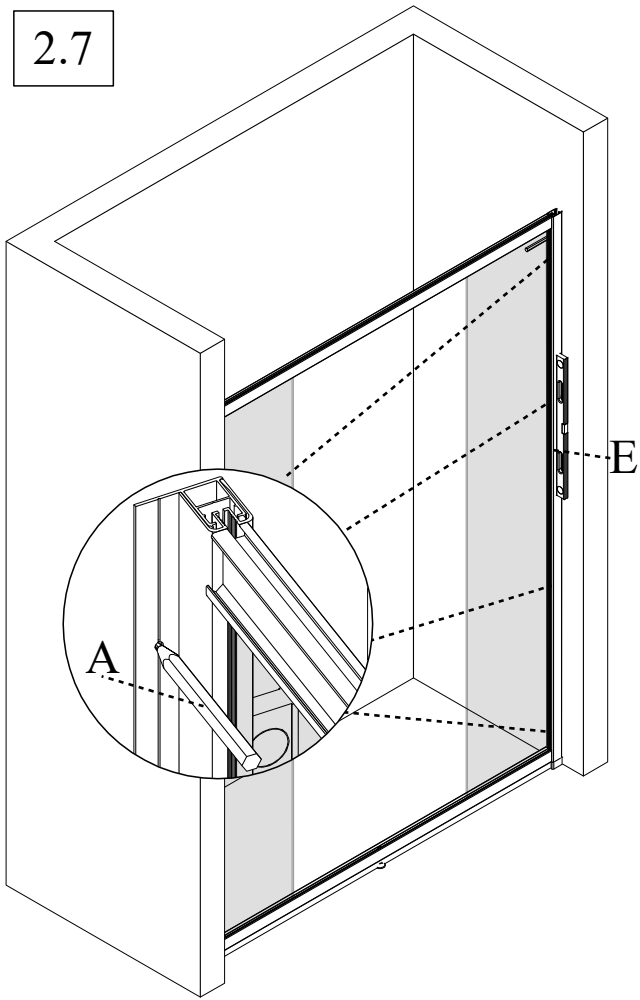
2.6A



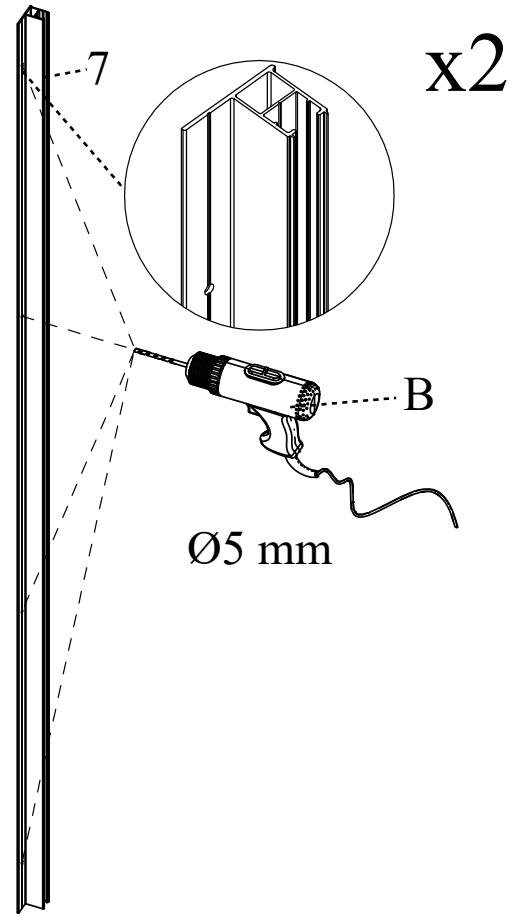
2.6B



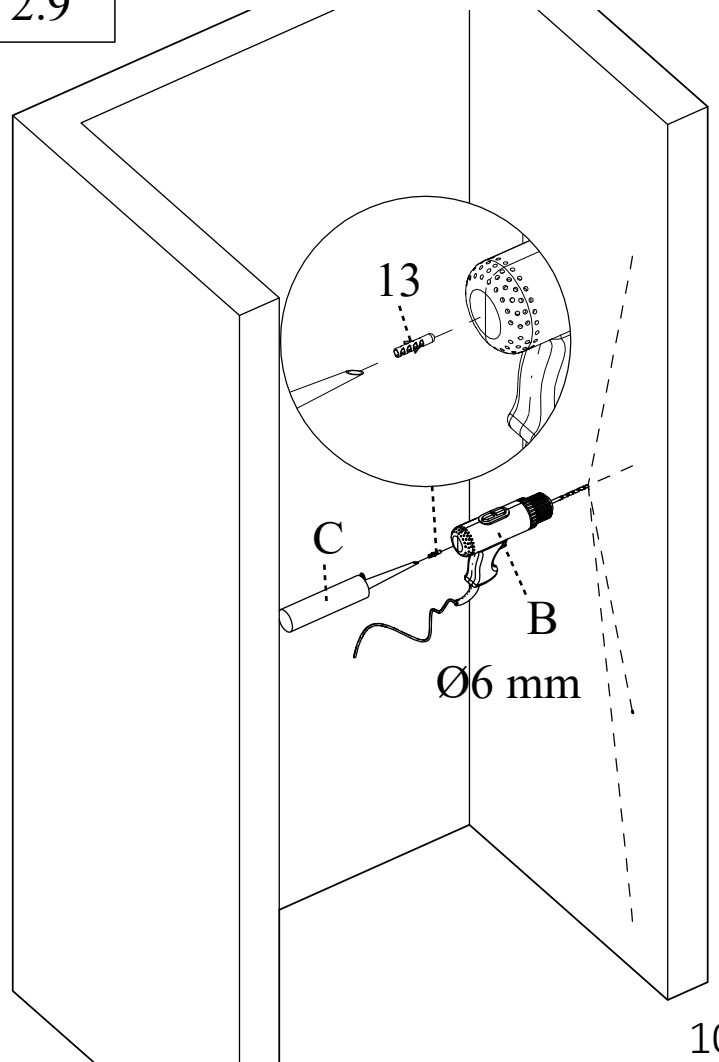
2.7



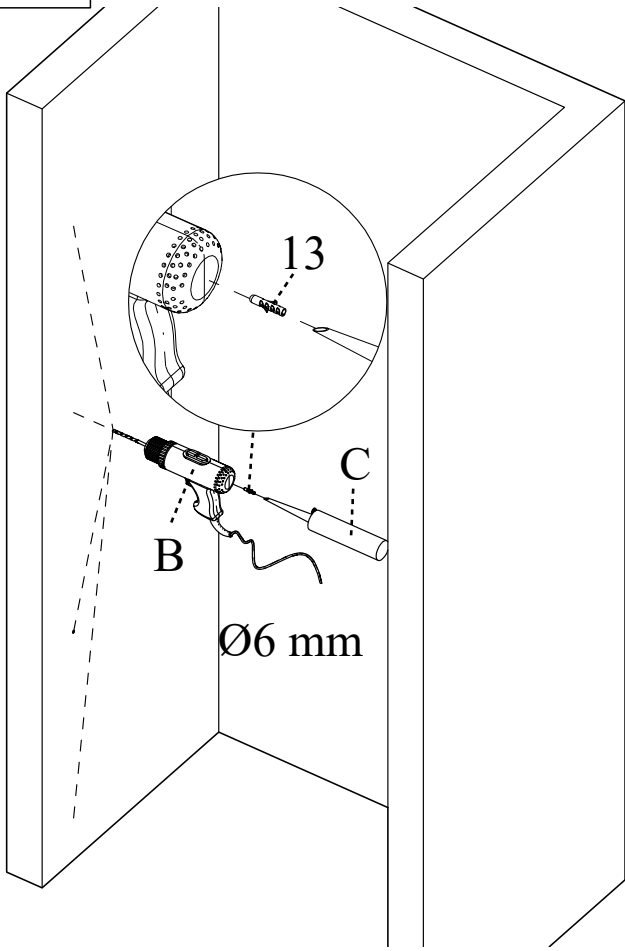
2.8



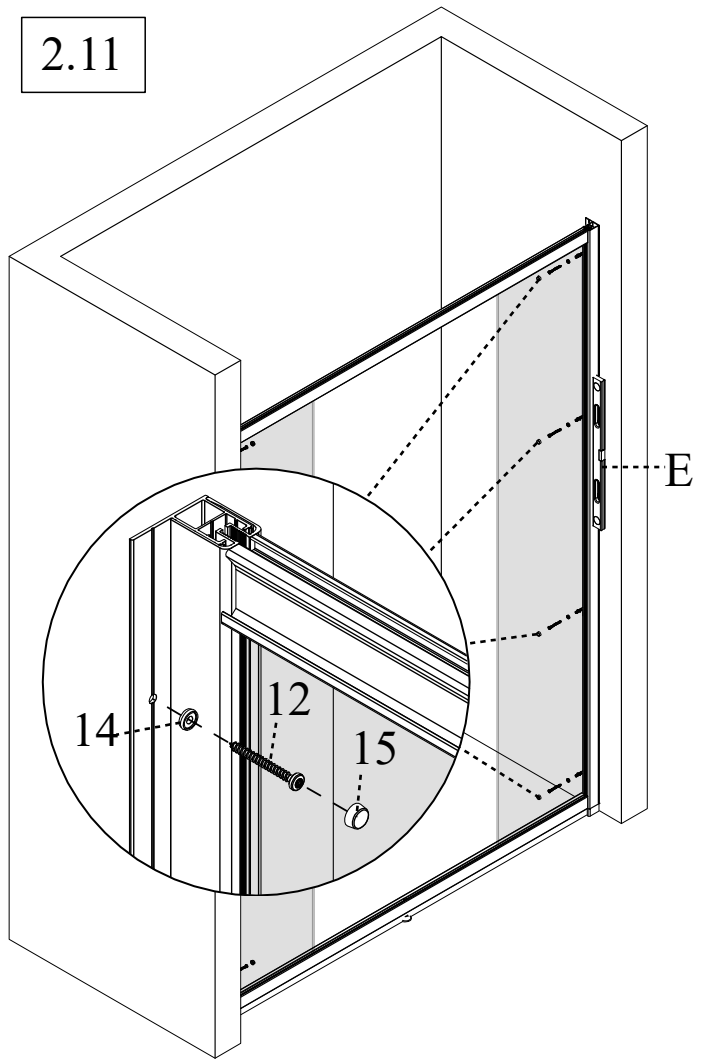
2.9



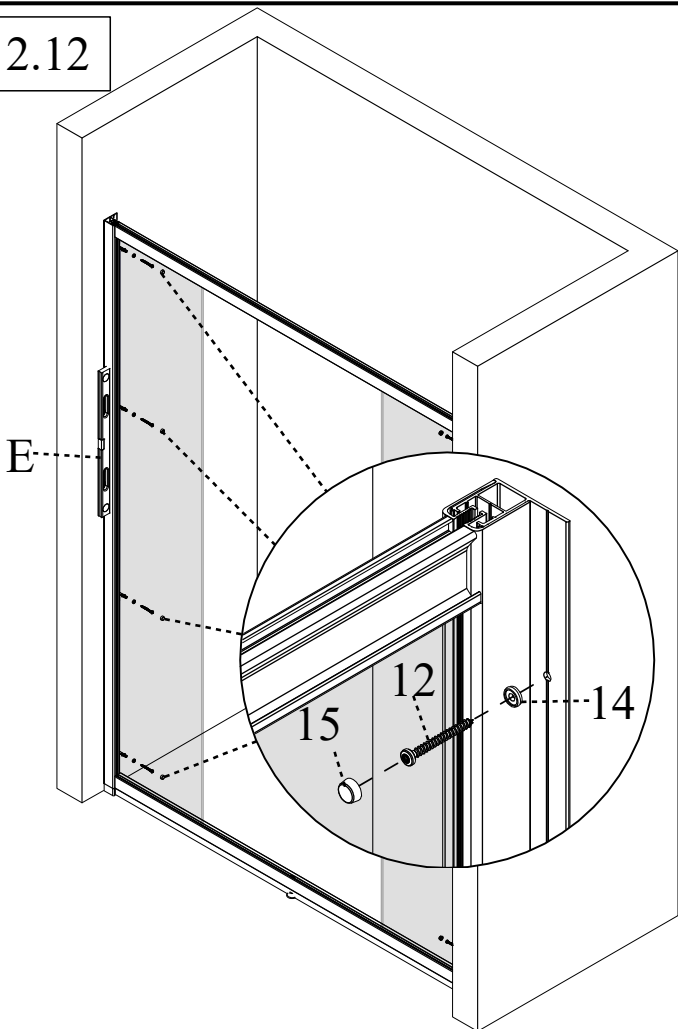
2.10



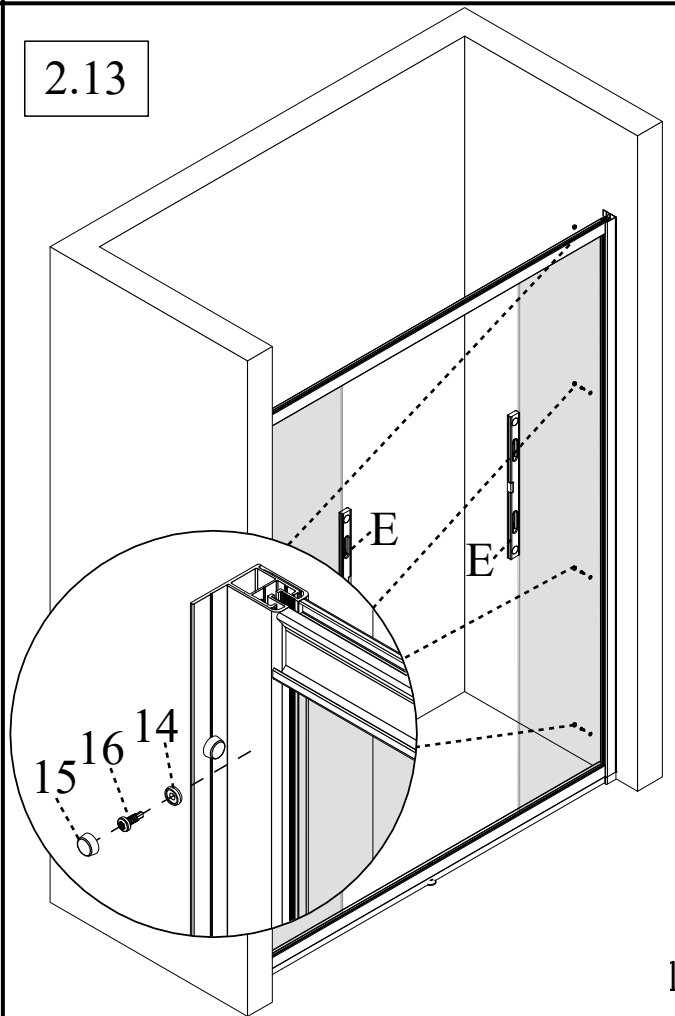
2.11



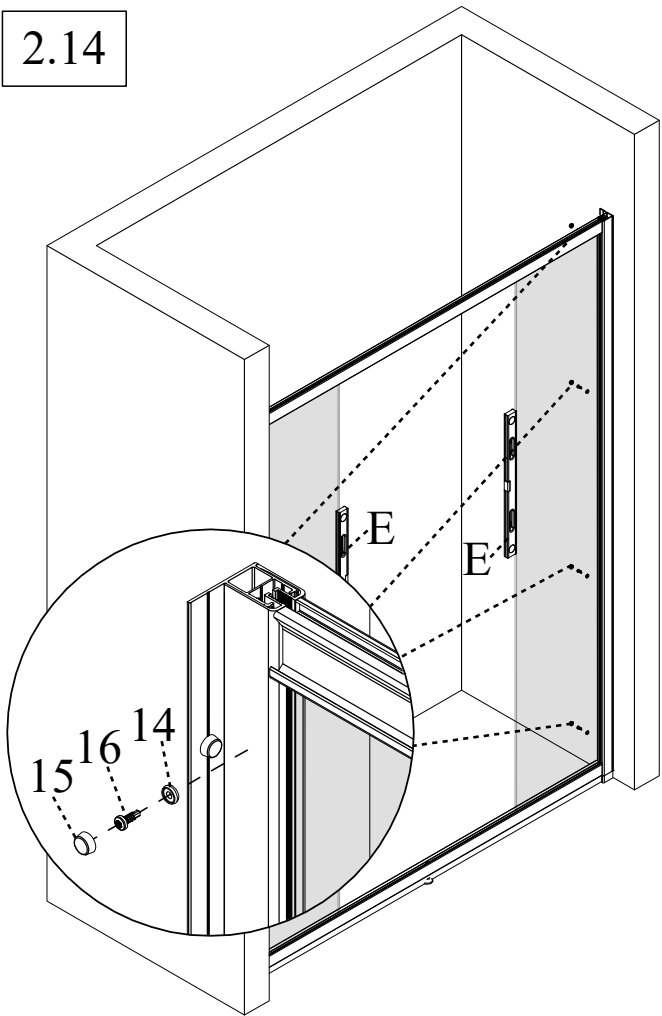
2.12



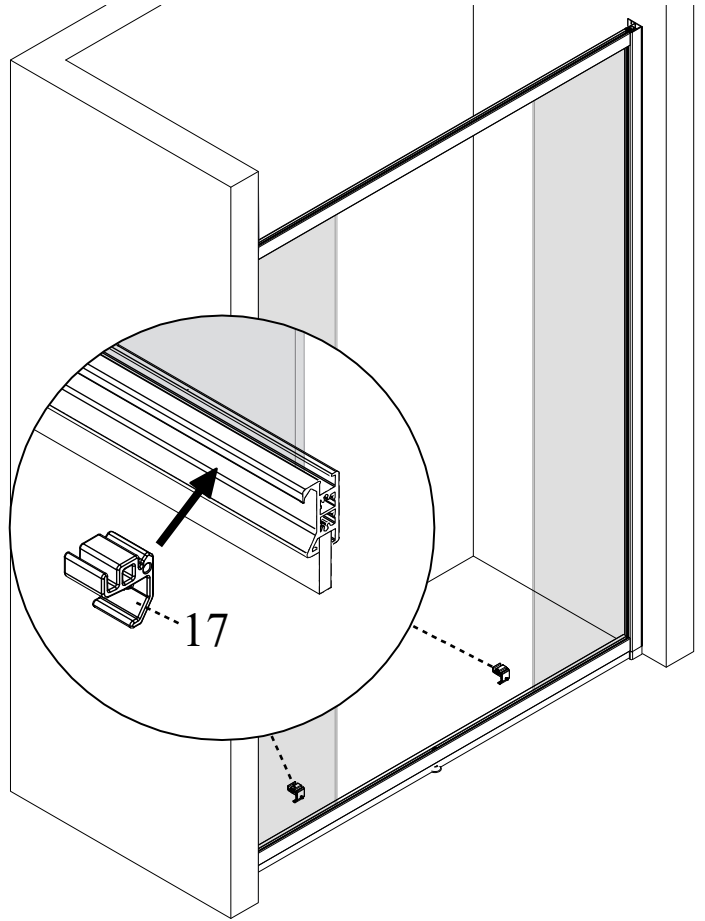
2.13



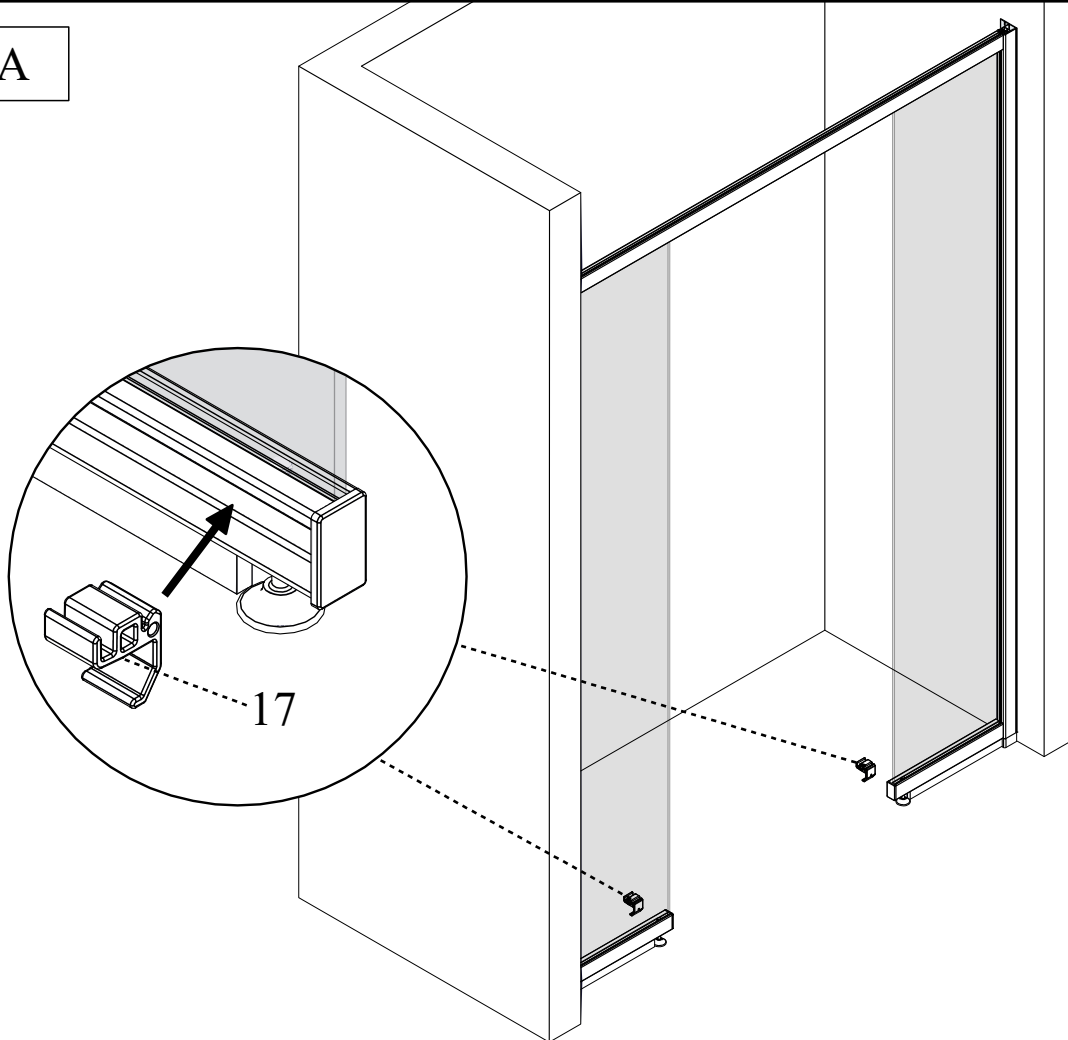
2.14



2.15A

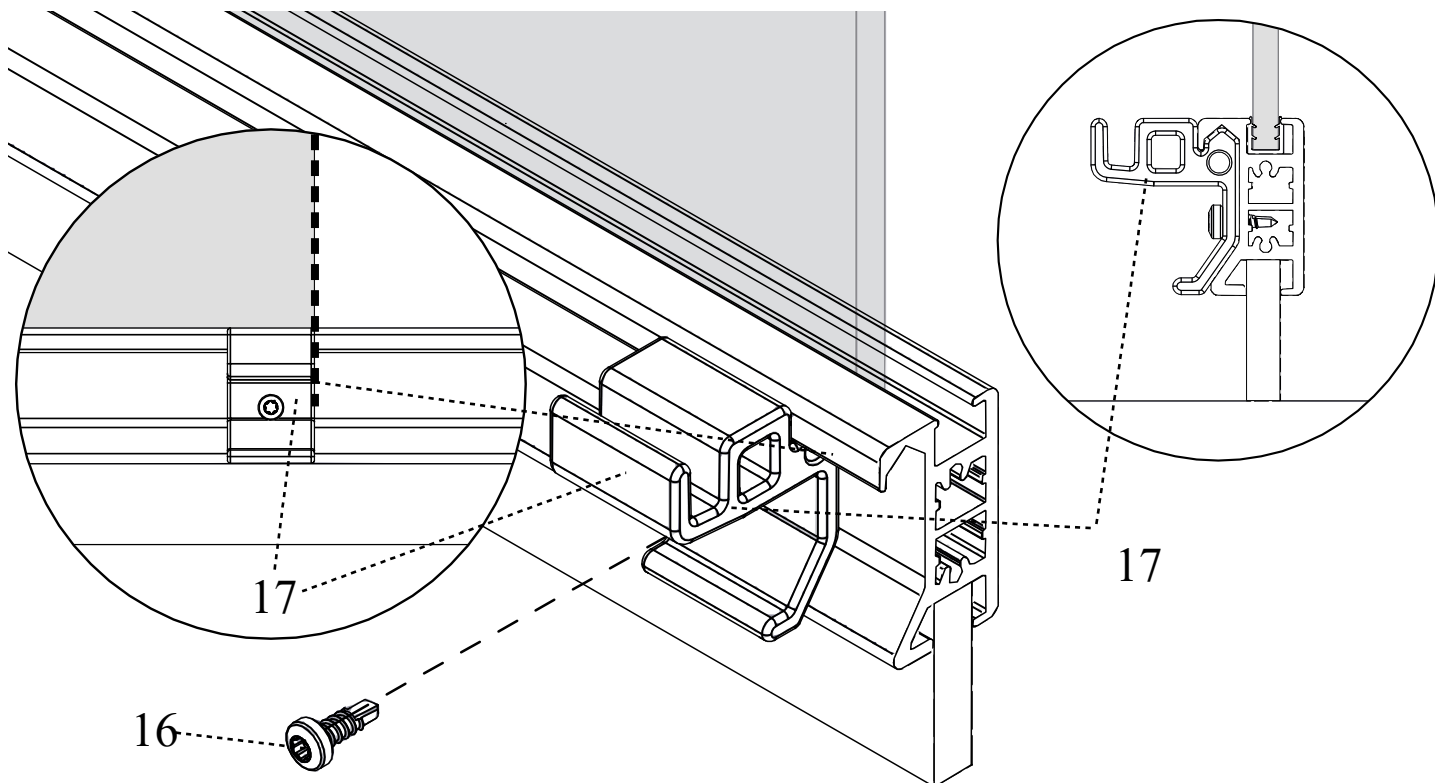


2.15A



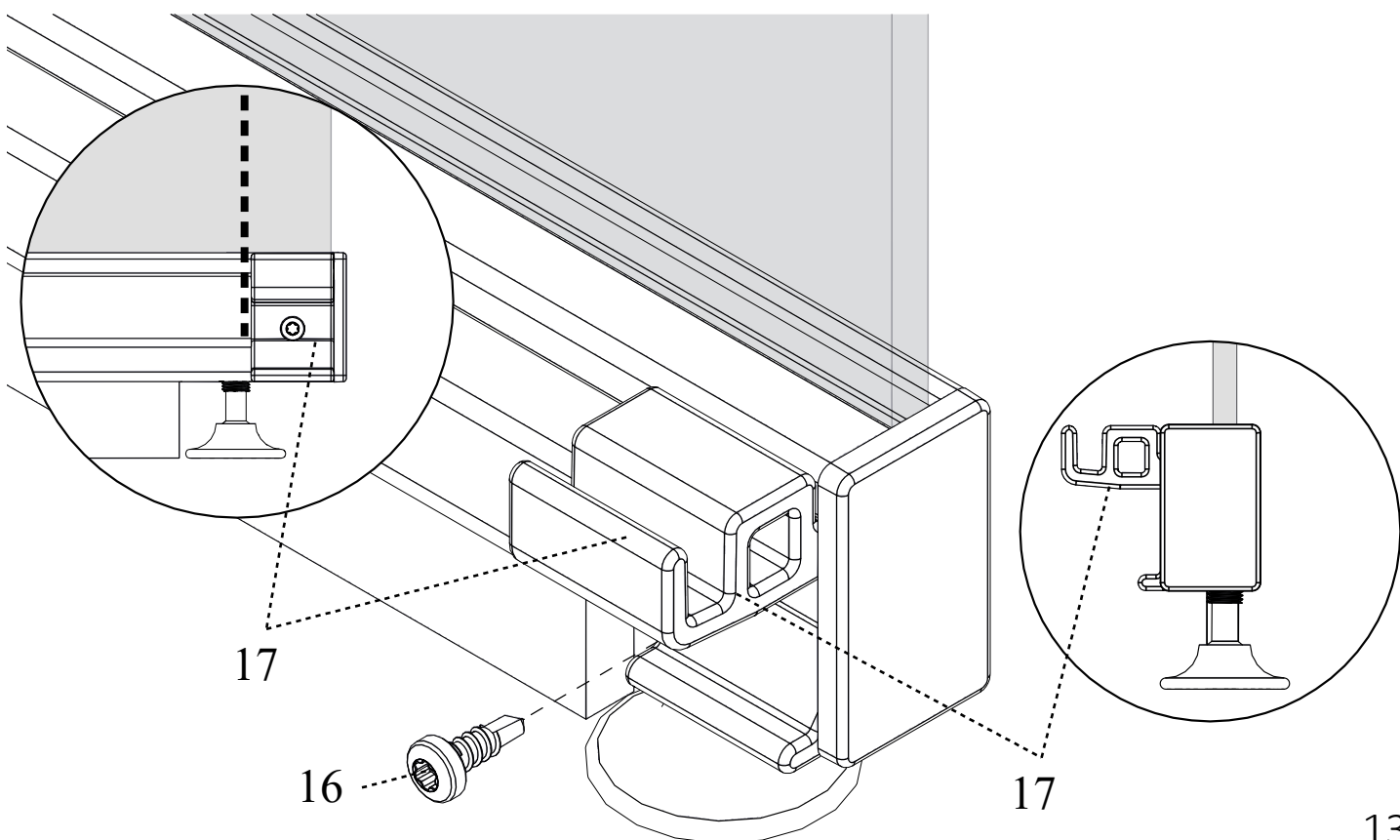
2.16A

x2

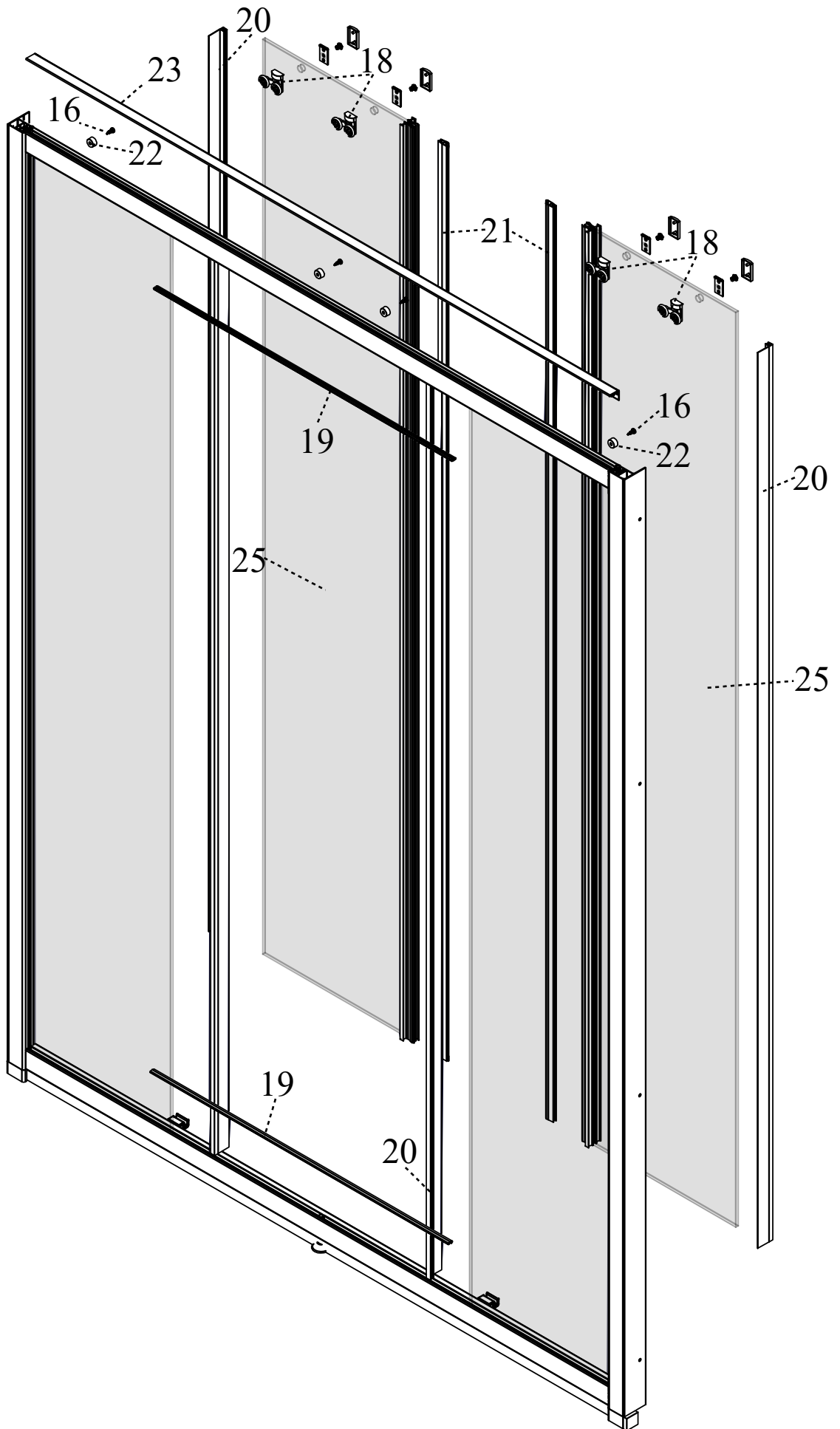


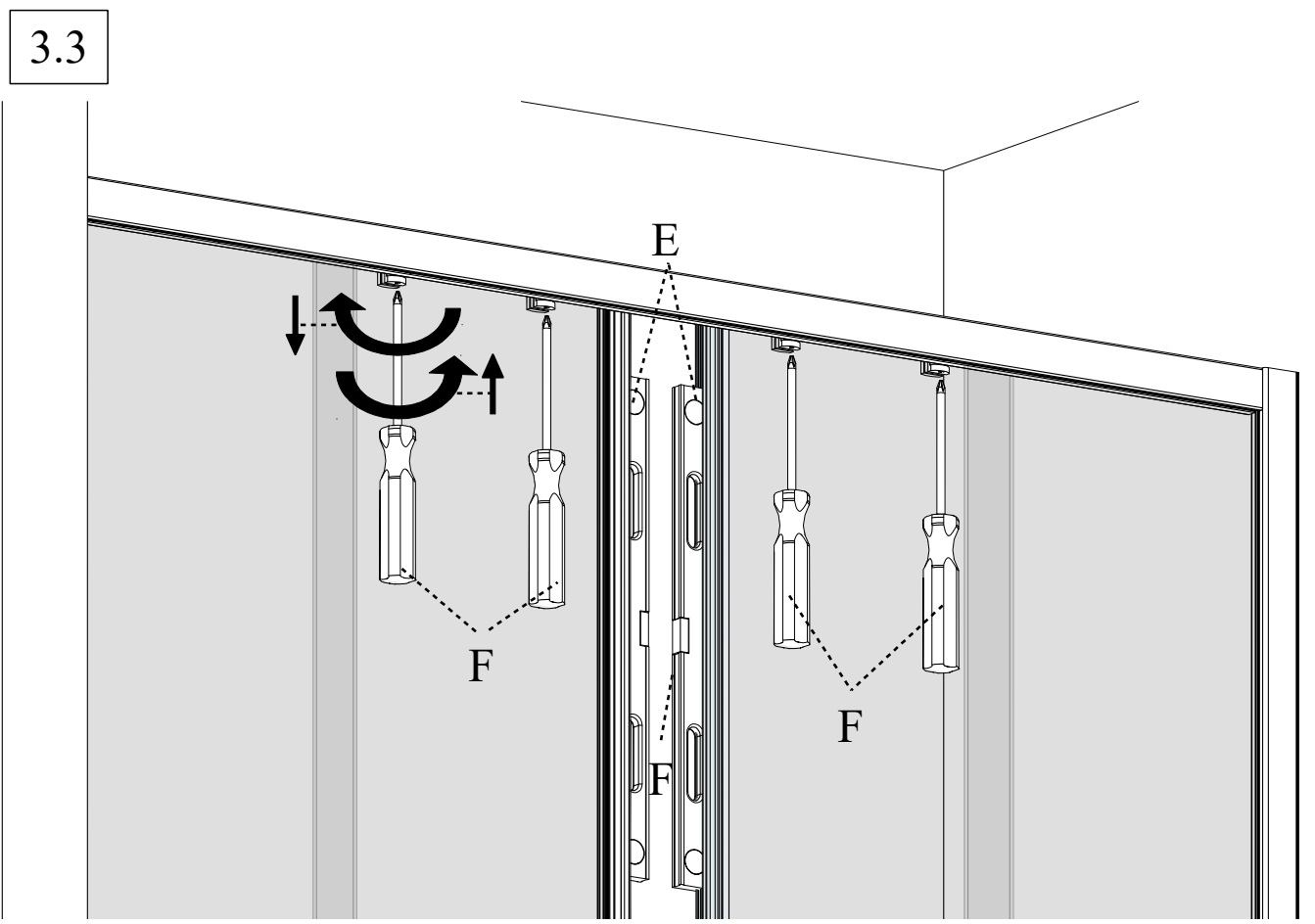
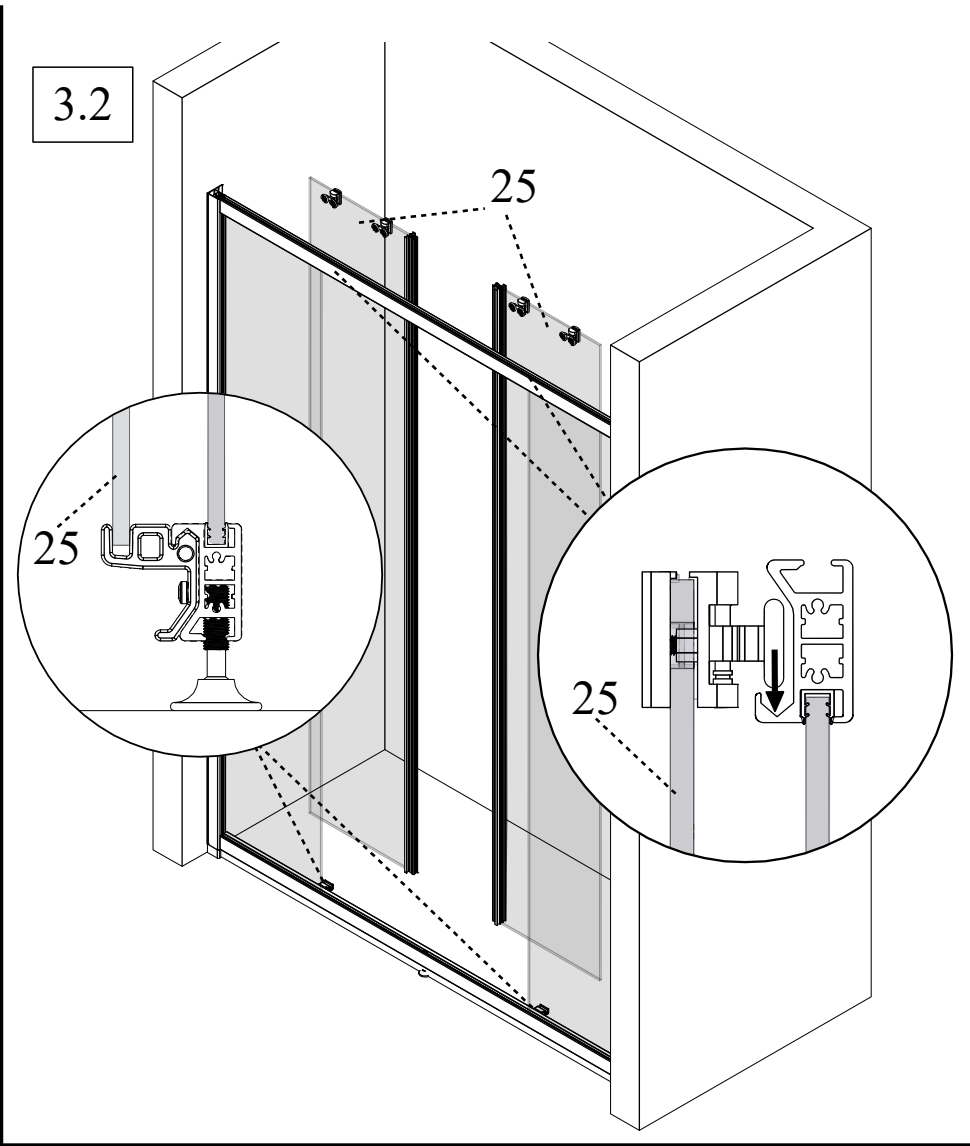
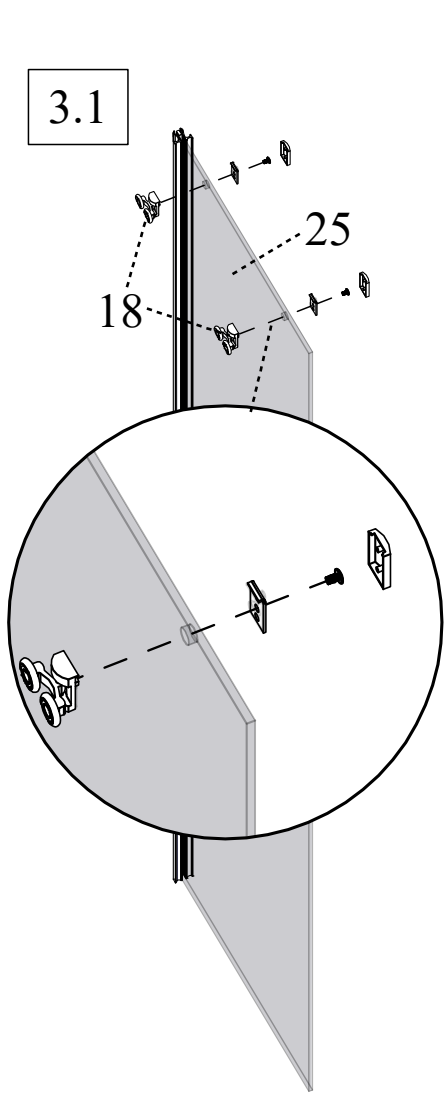
2.16B

x2

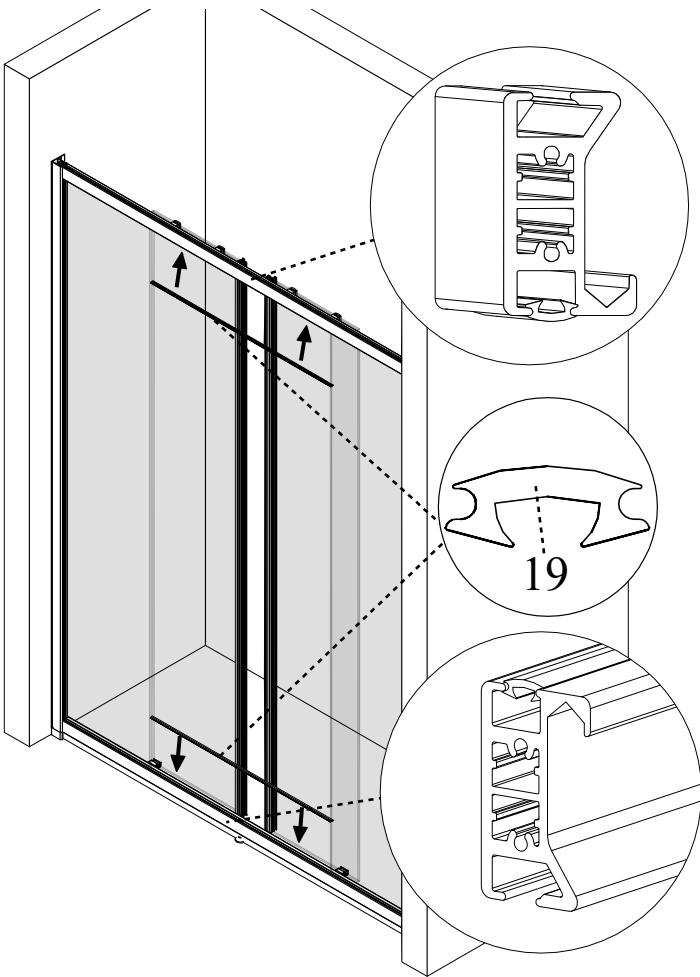


STEP 3/3

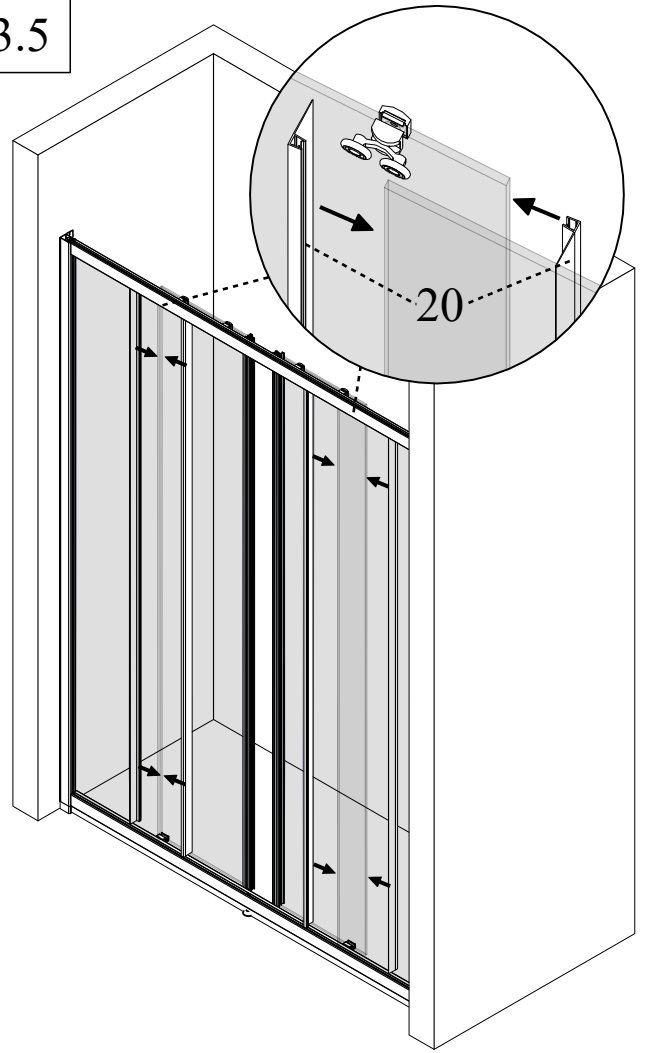




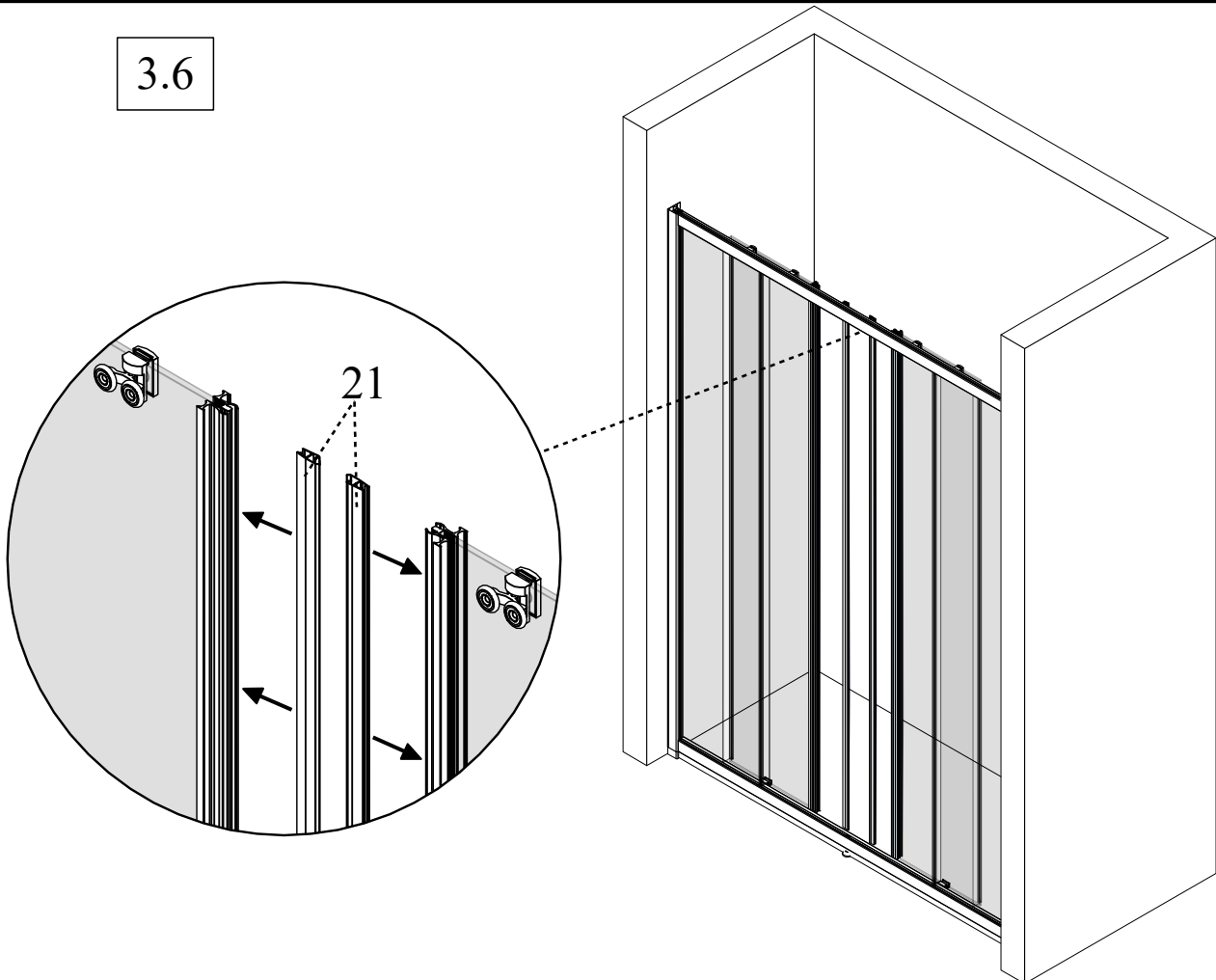
3.4



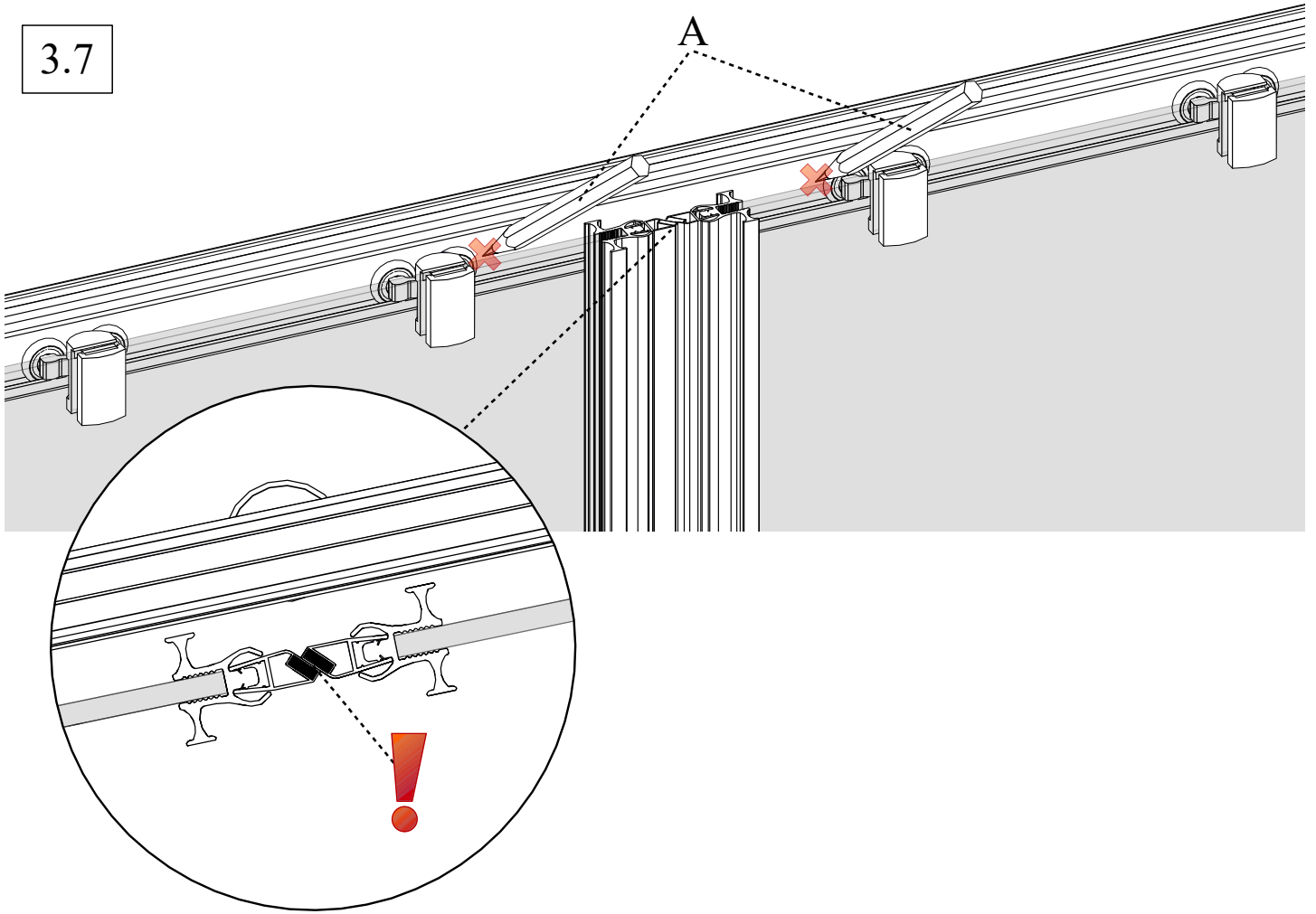
3.5



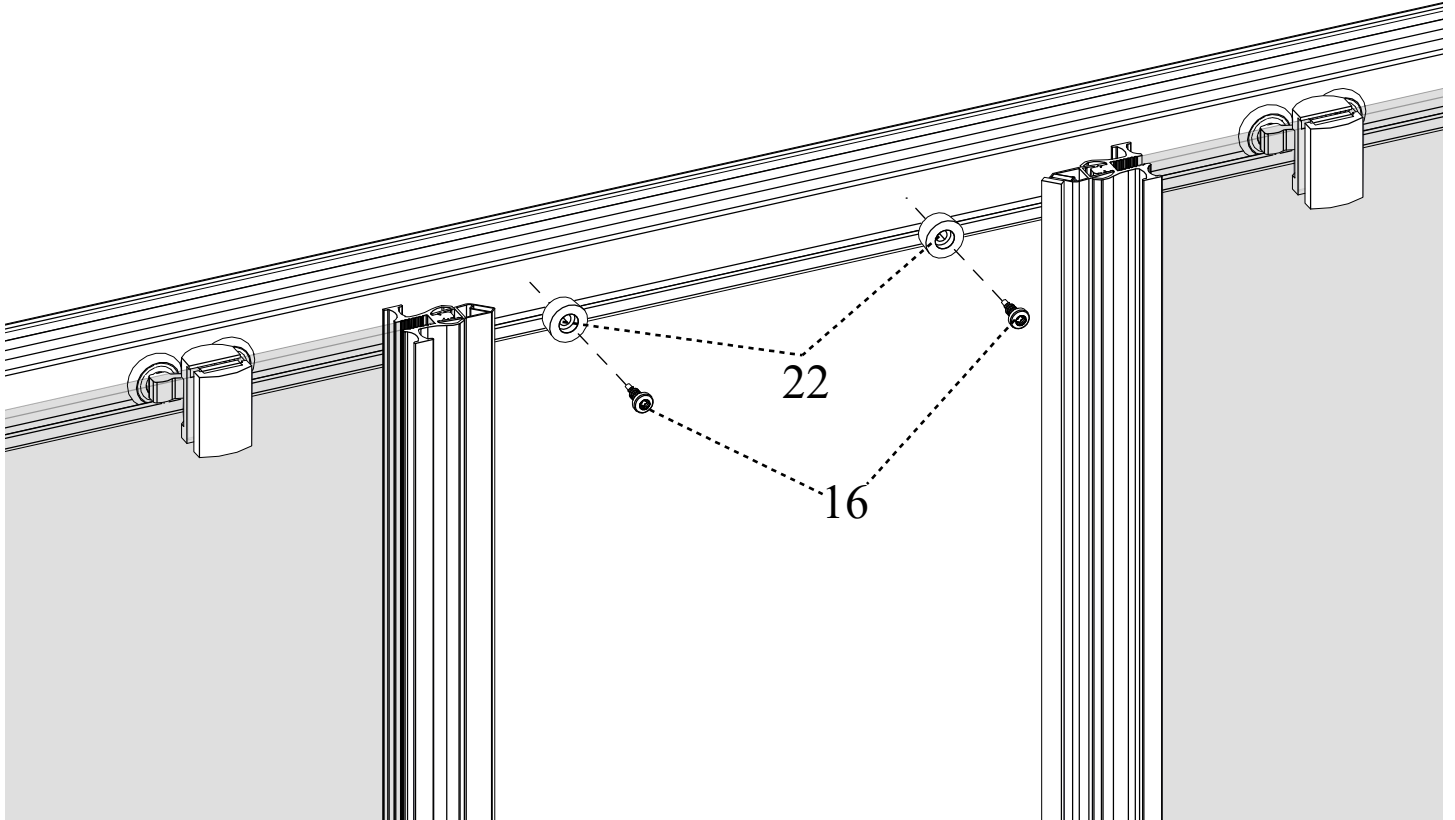
3.6



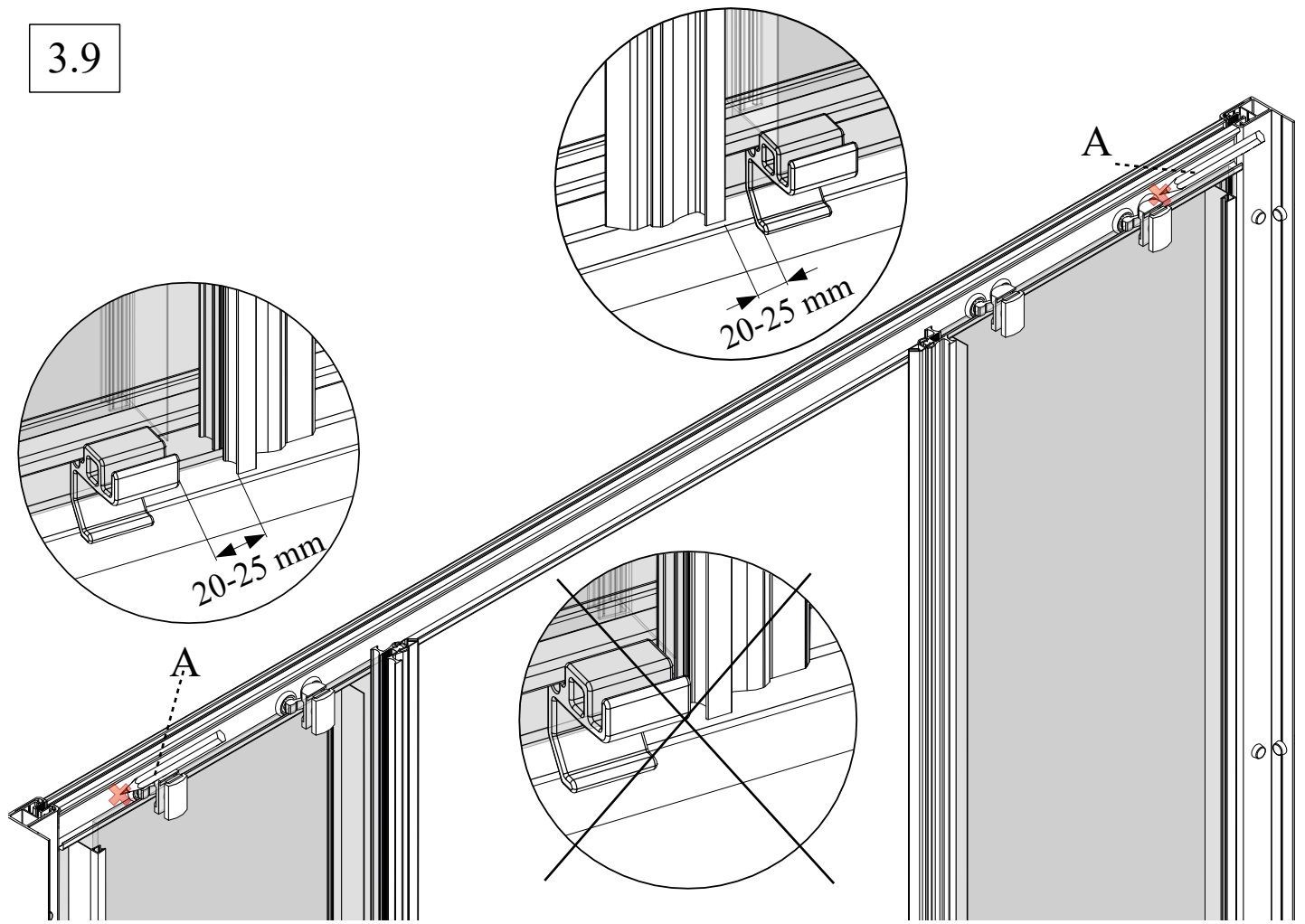
3.7



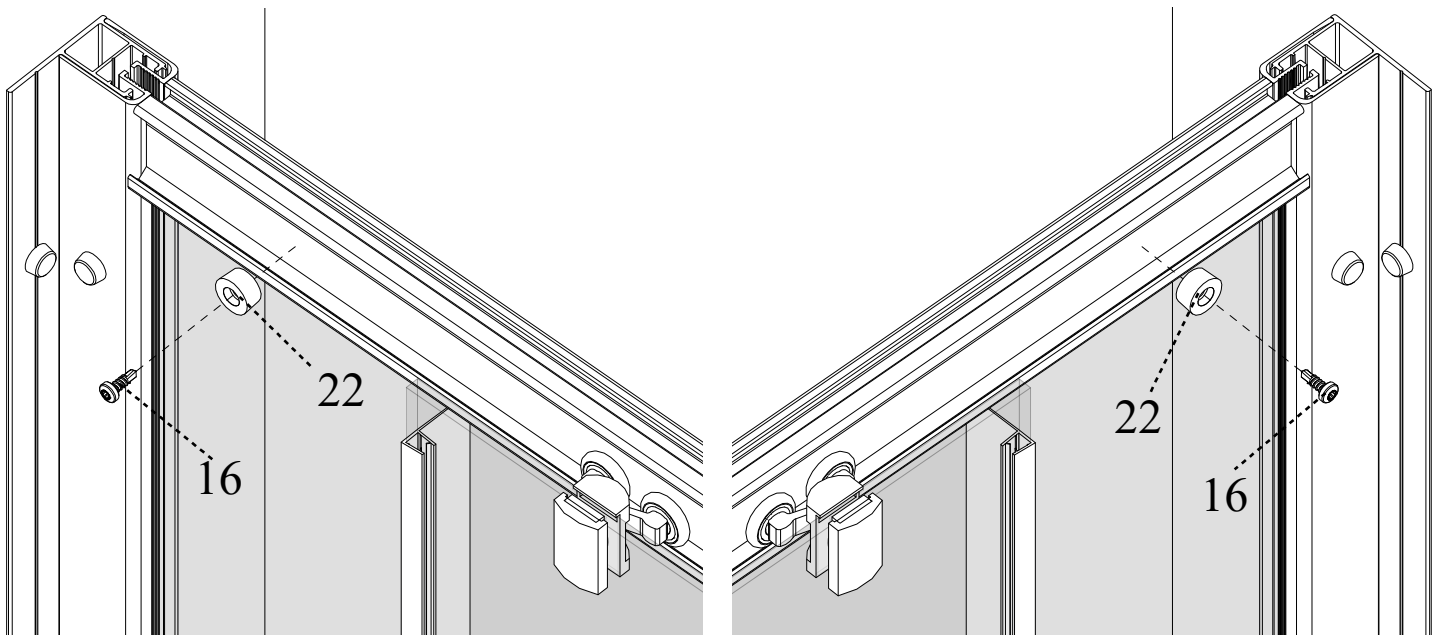
3.8



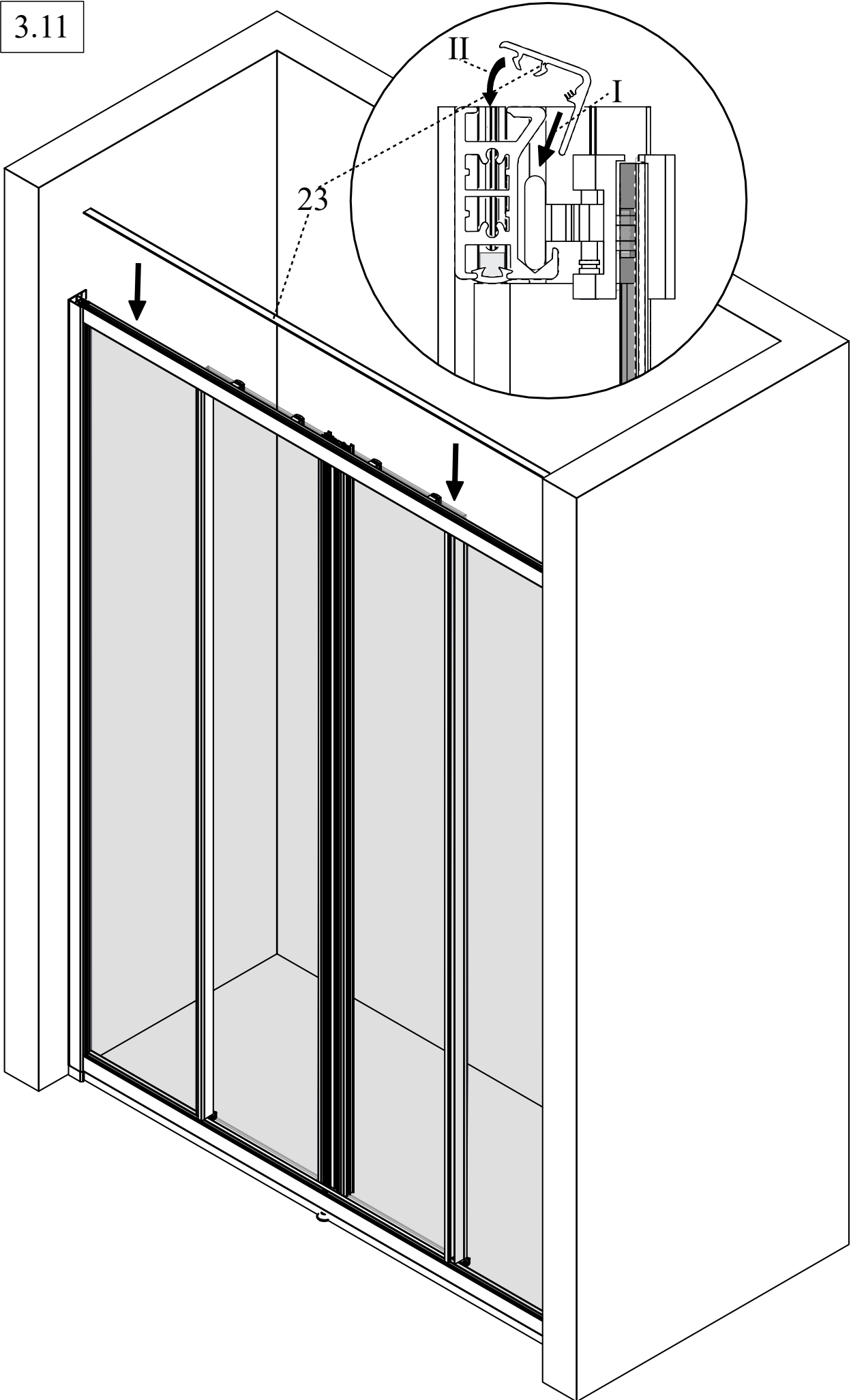
3.9



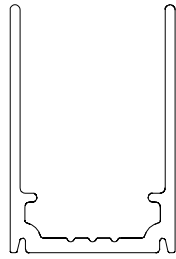
3.10



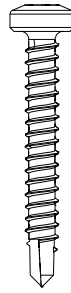
3.11



4. EXTRA

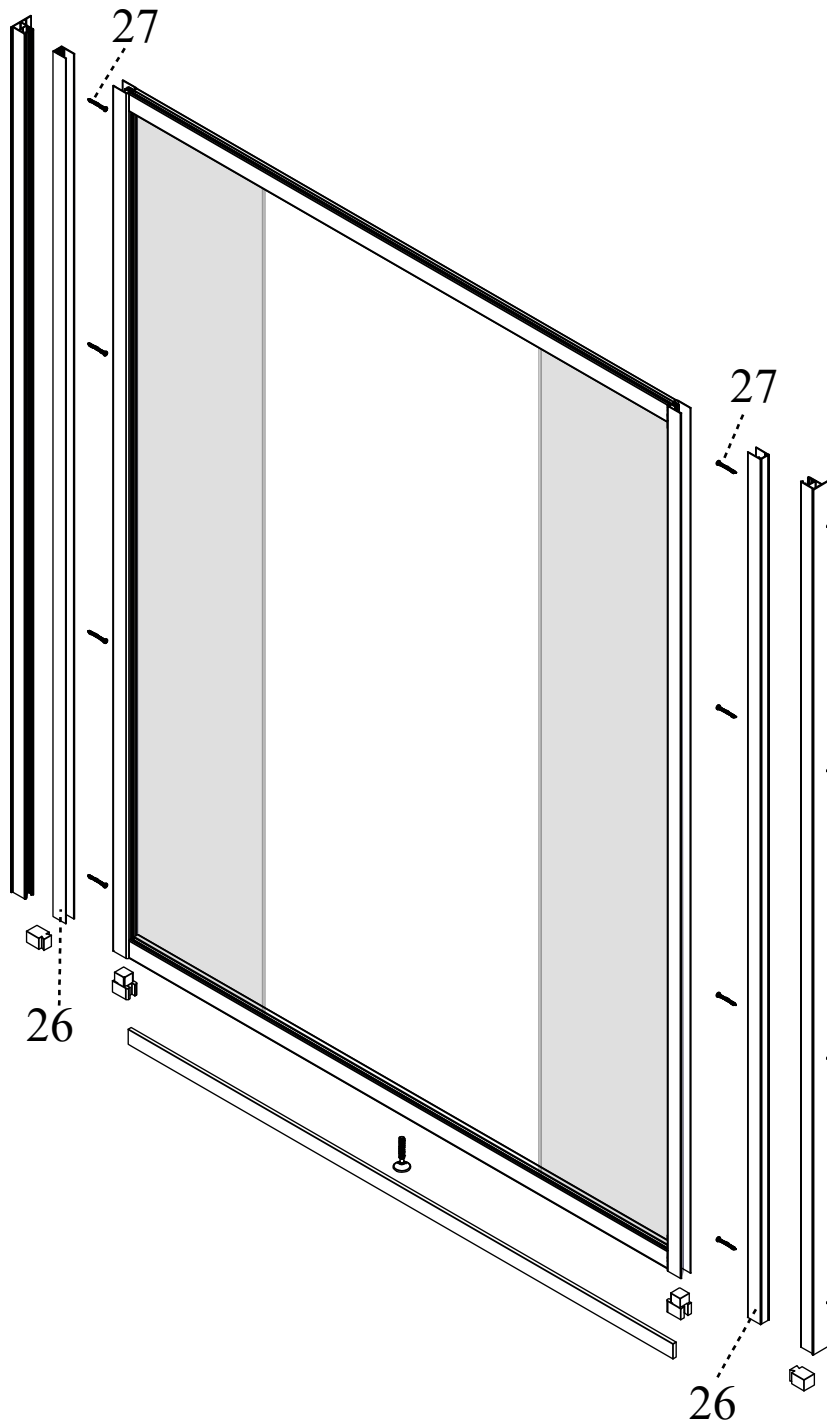


26. x1-2

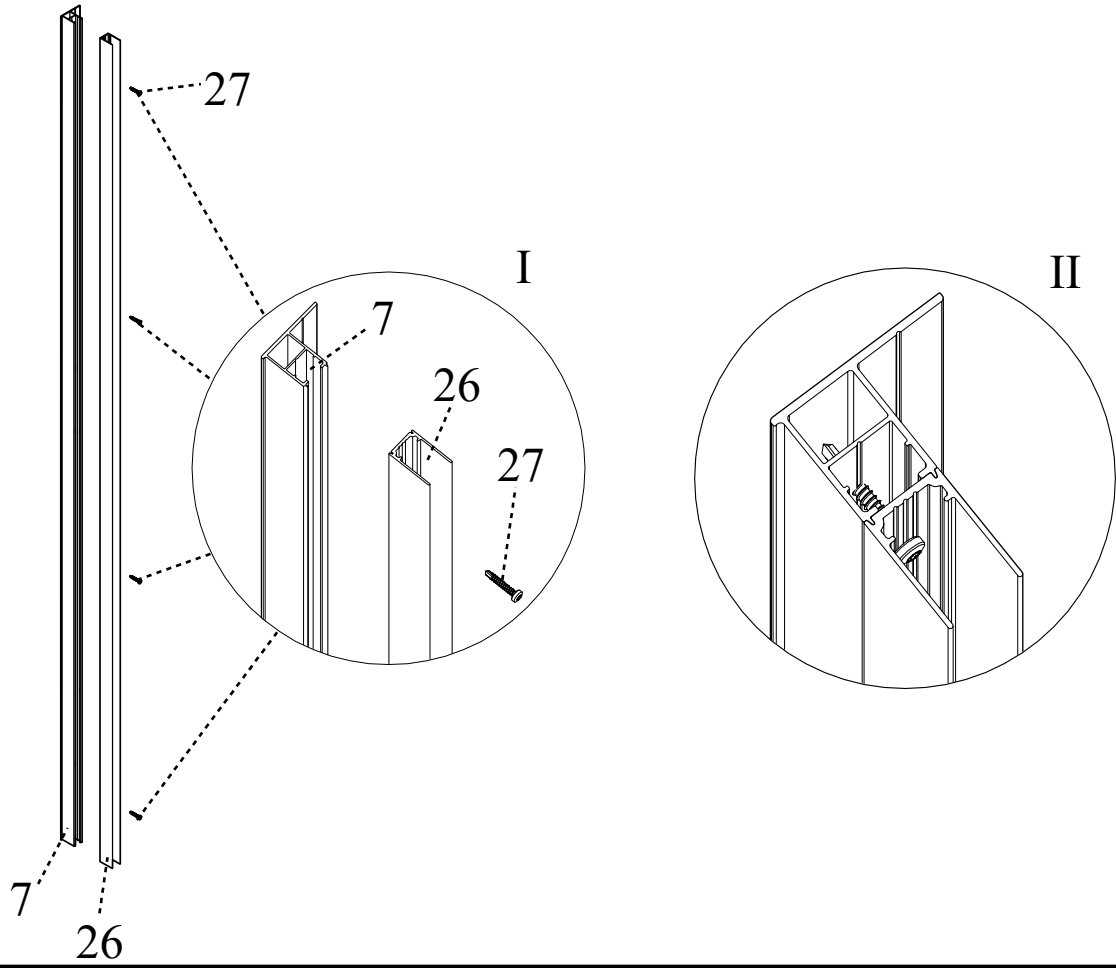


4/83 84RLM

27. 4.2x32 mm
x4-8



4.1



4.2

