

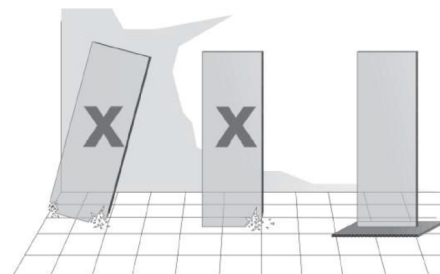
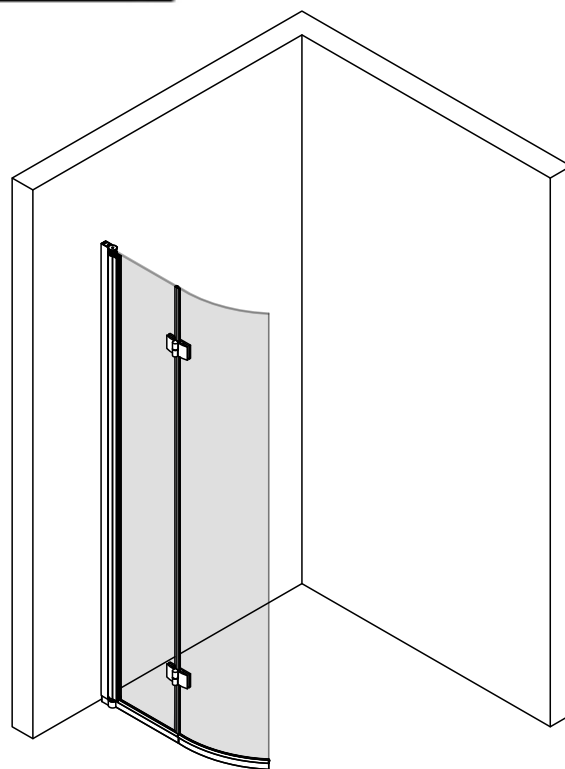
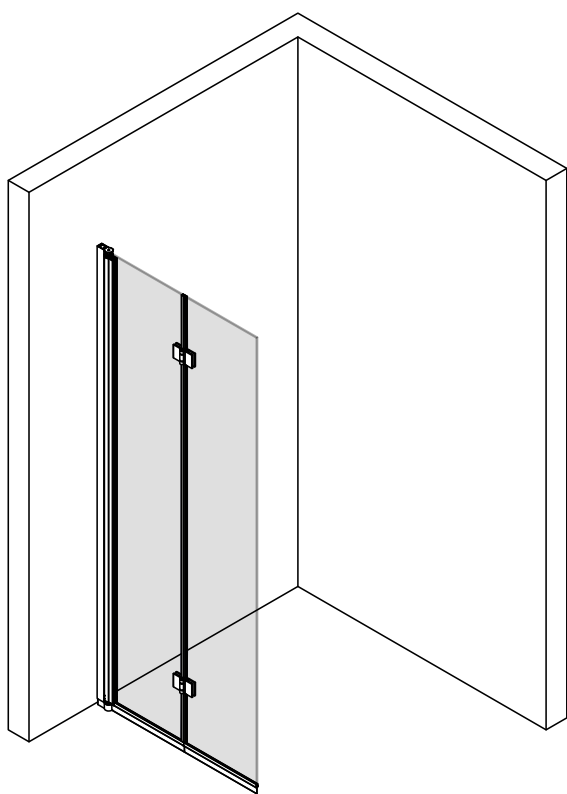


HIETAKARI®

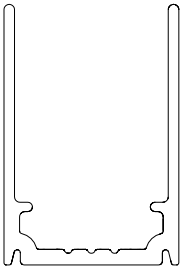


8/25 9CRLM

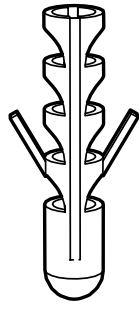
INFINIA 213, 223



Parts

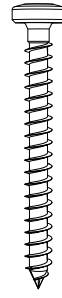


1. x1



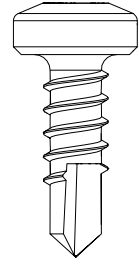
4/83 13RLM

2. 6x30 mm
x4



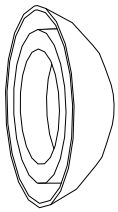
4/83 11RLM

3. 4.5x44 mm
x4



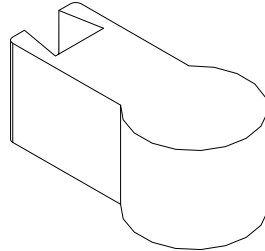
4/83 24RLM

4. x4



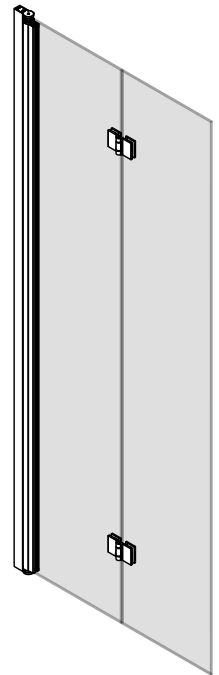
4/83 23RLM

5. x4

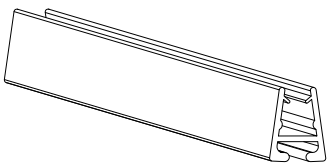


4/83 A18LM

6. x1

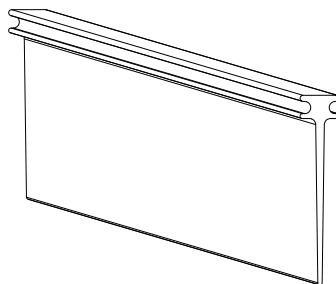


7. x1



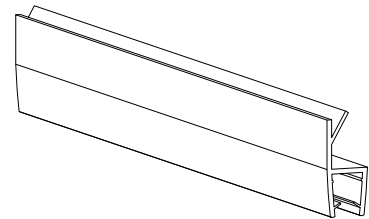
1/42 60RLM

8. x2



8/45 11RLM

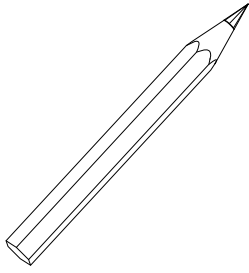
9. x2



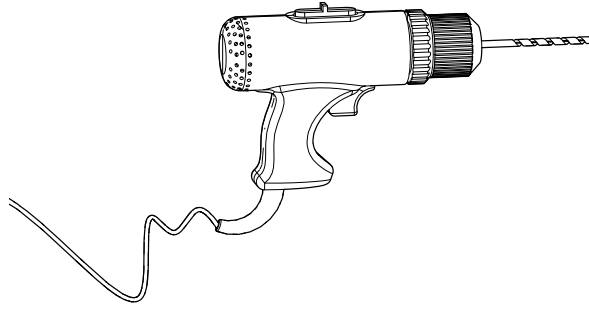
1/42 L0RL2

10. x1

Tools



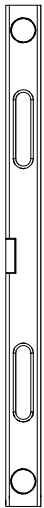
A



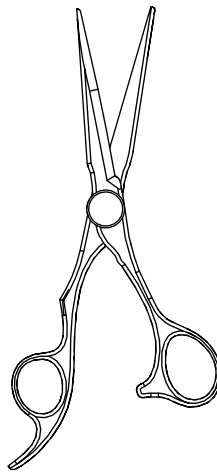
Ø6 mm
B



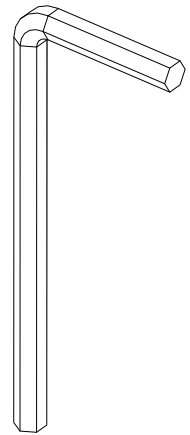
C – Silicone
D – Glue



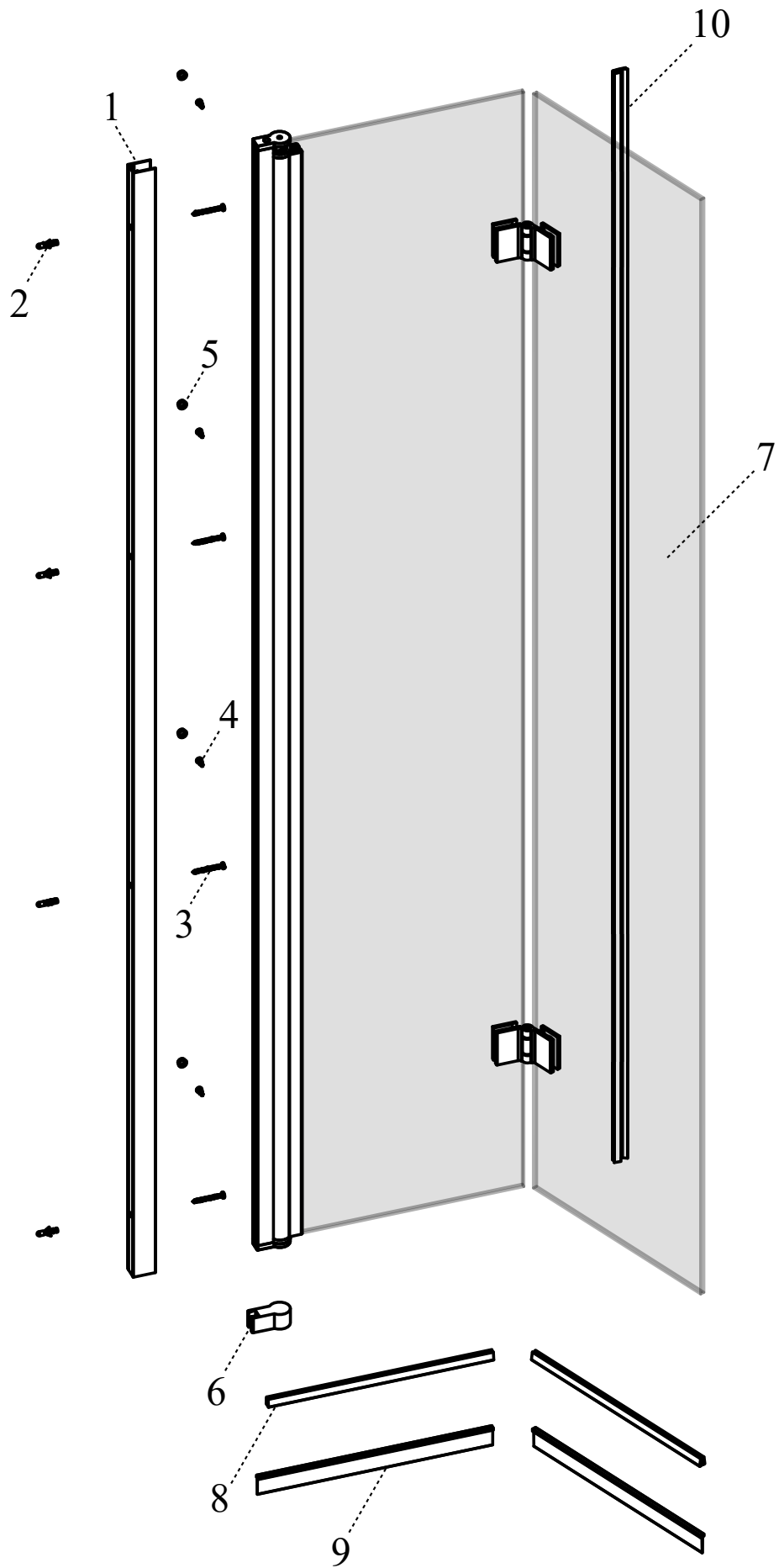
E



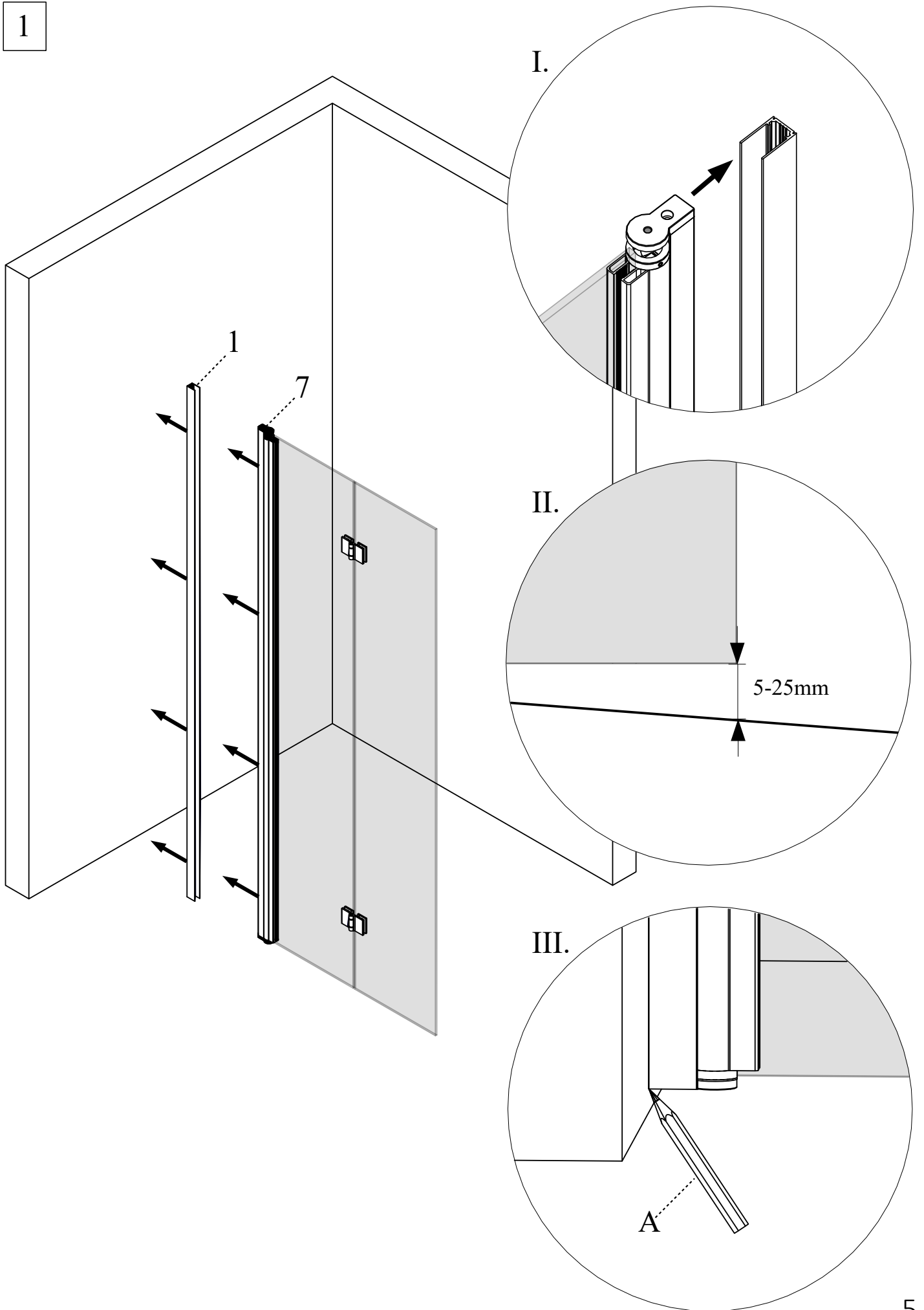
F



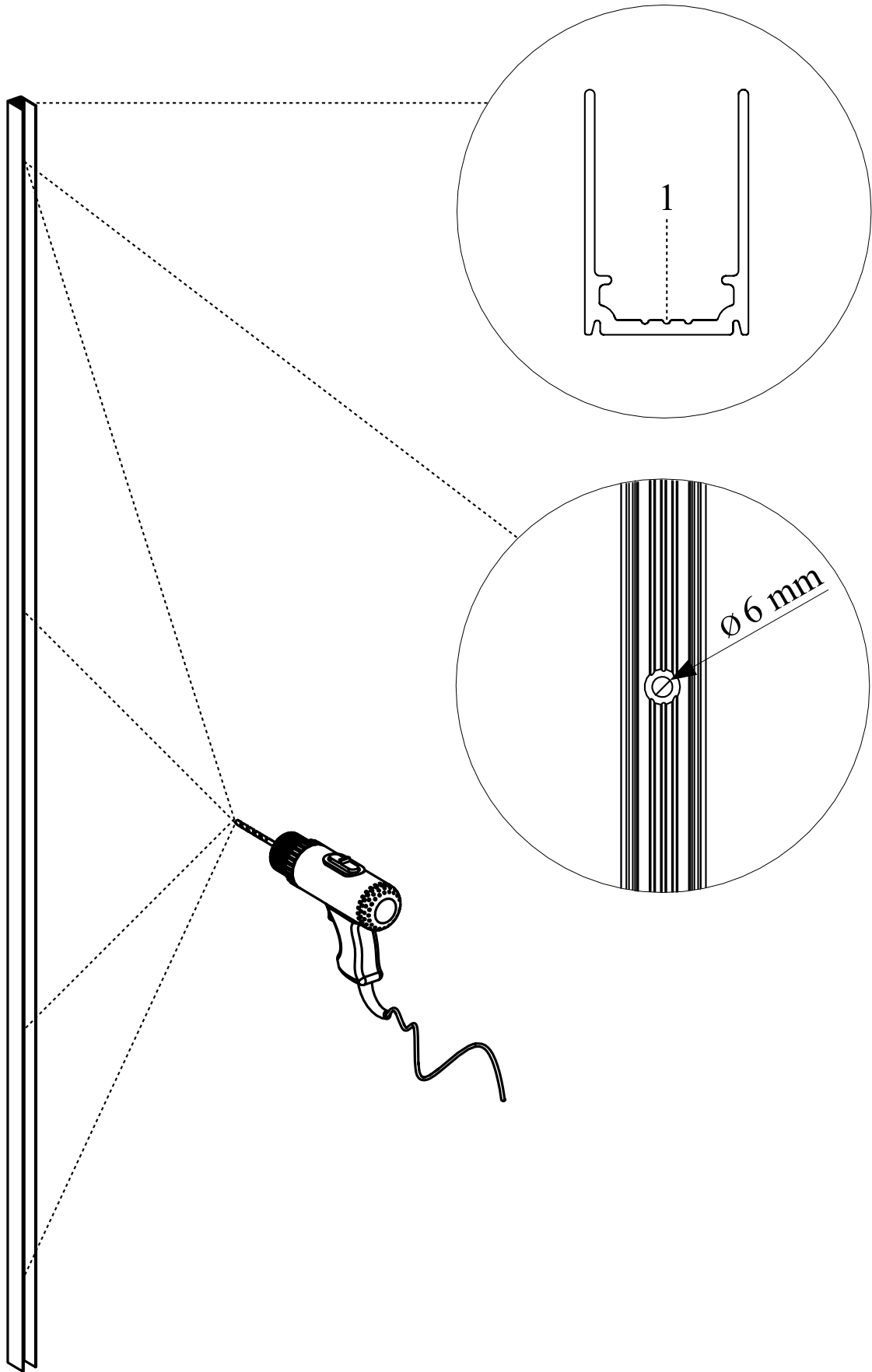
G

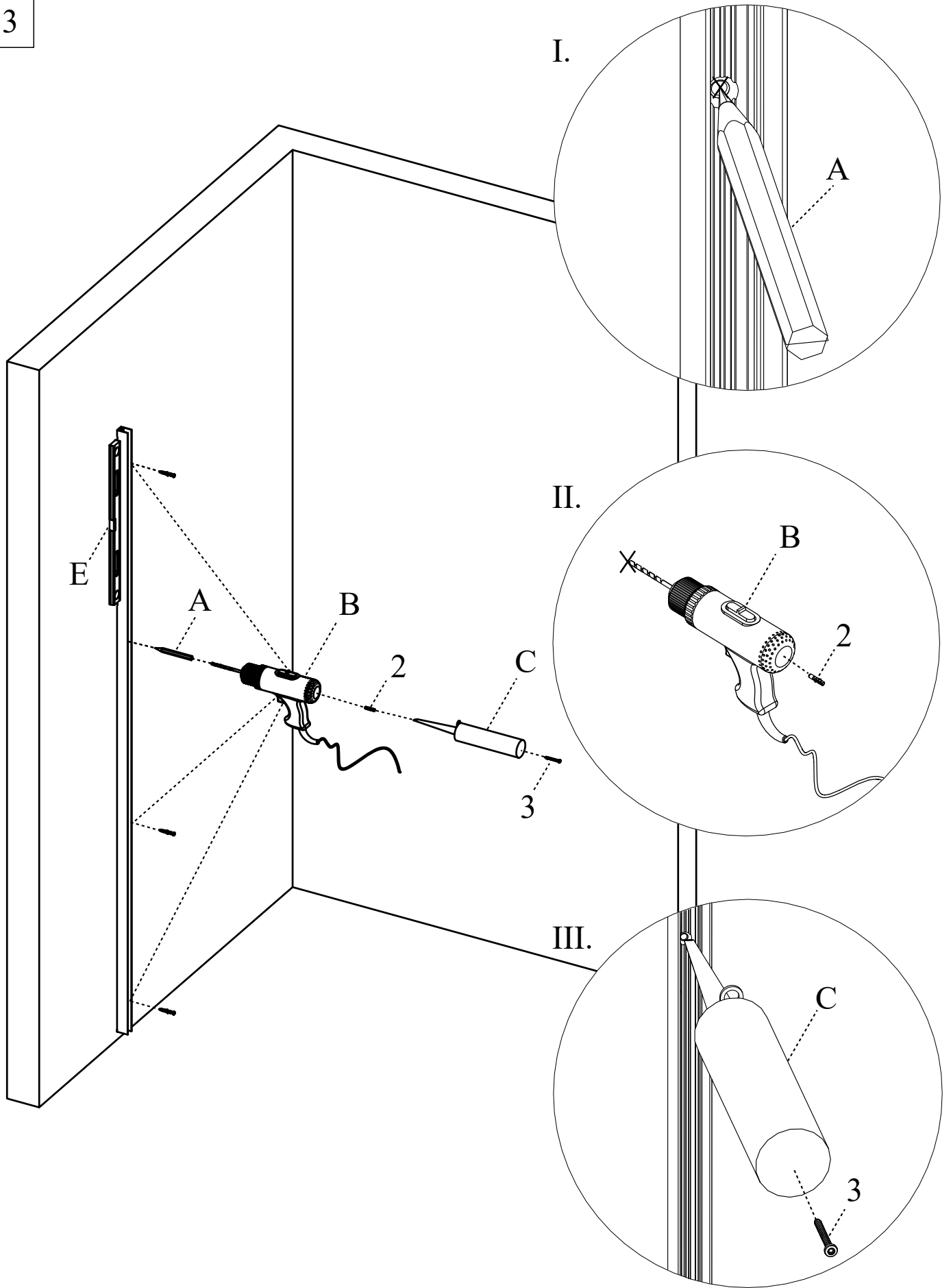


1

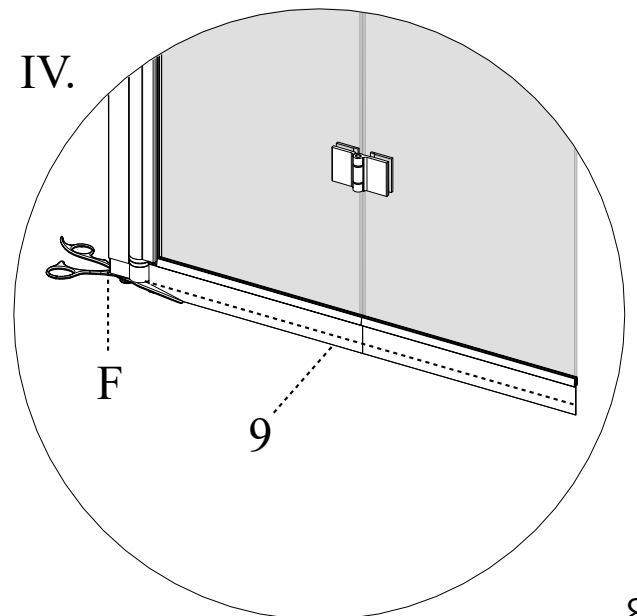
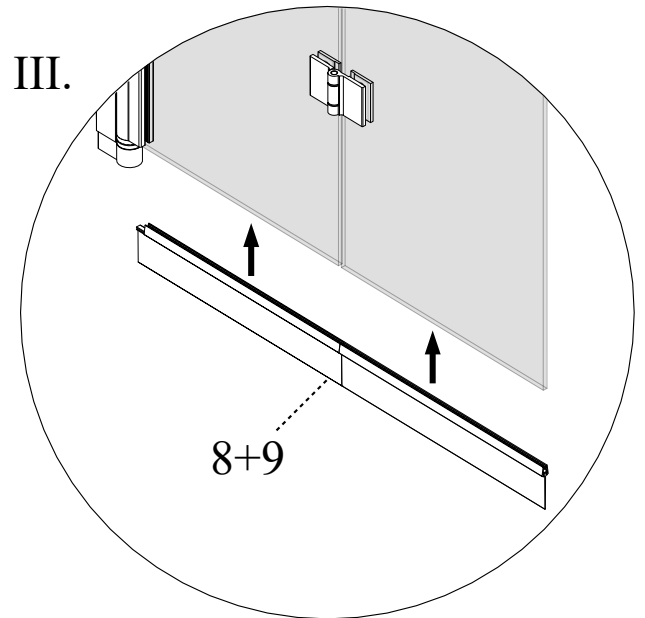
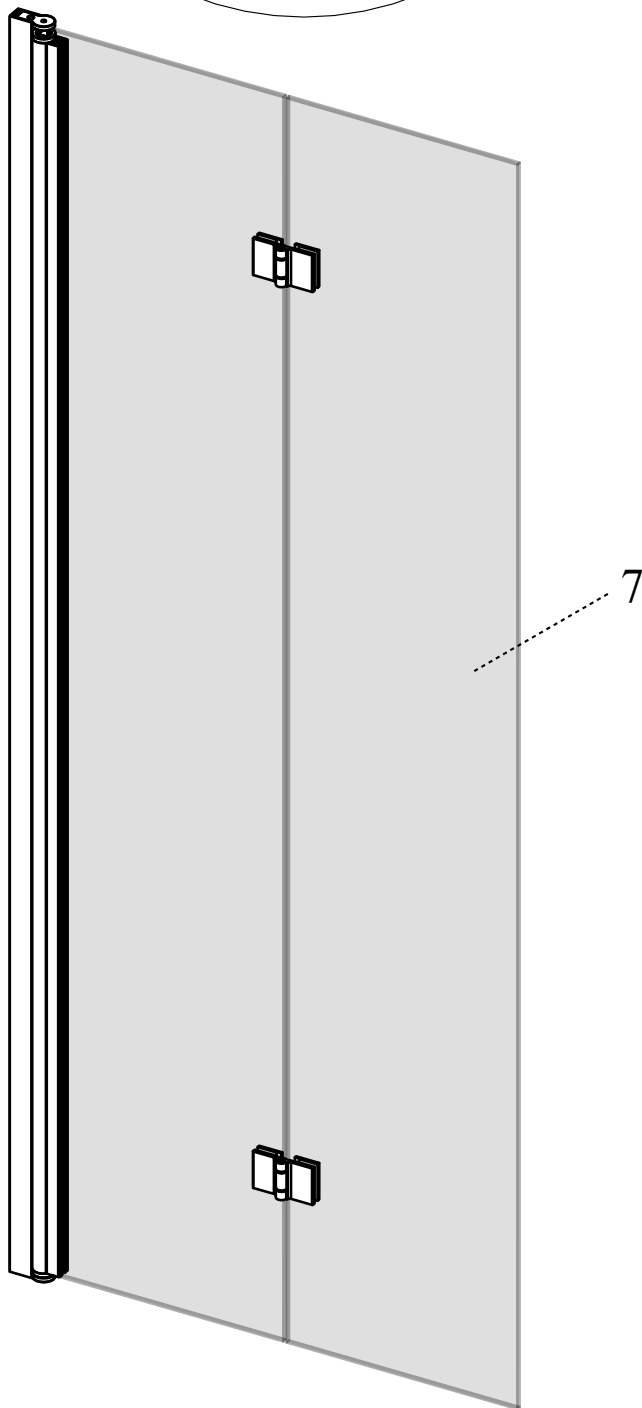
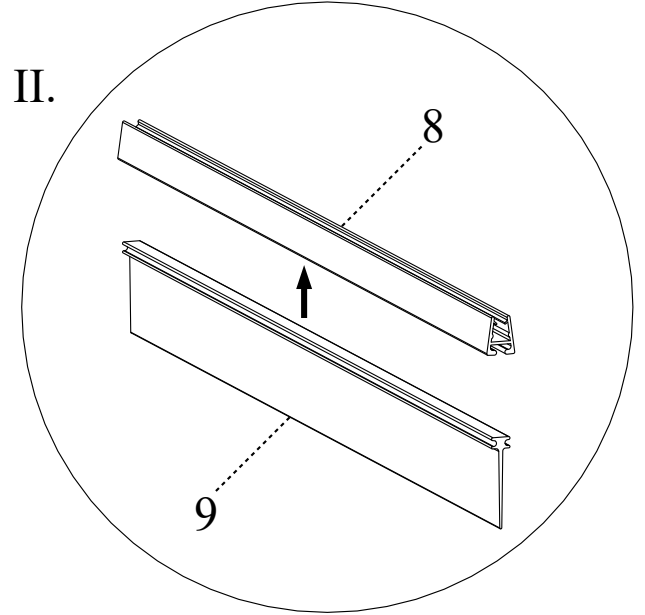
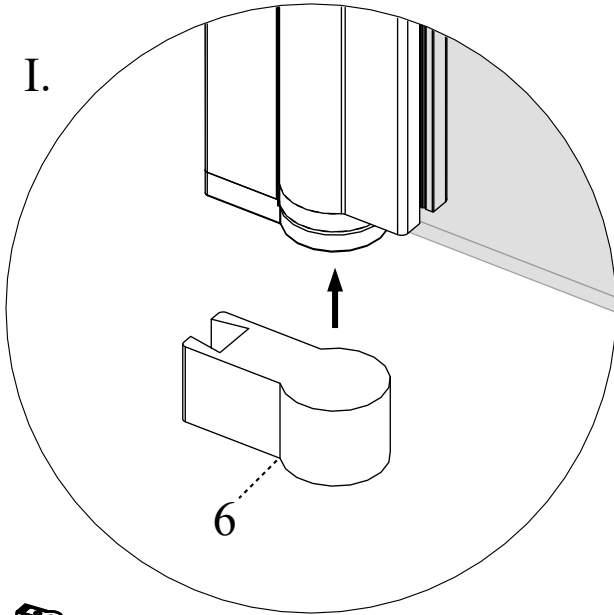


2

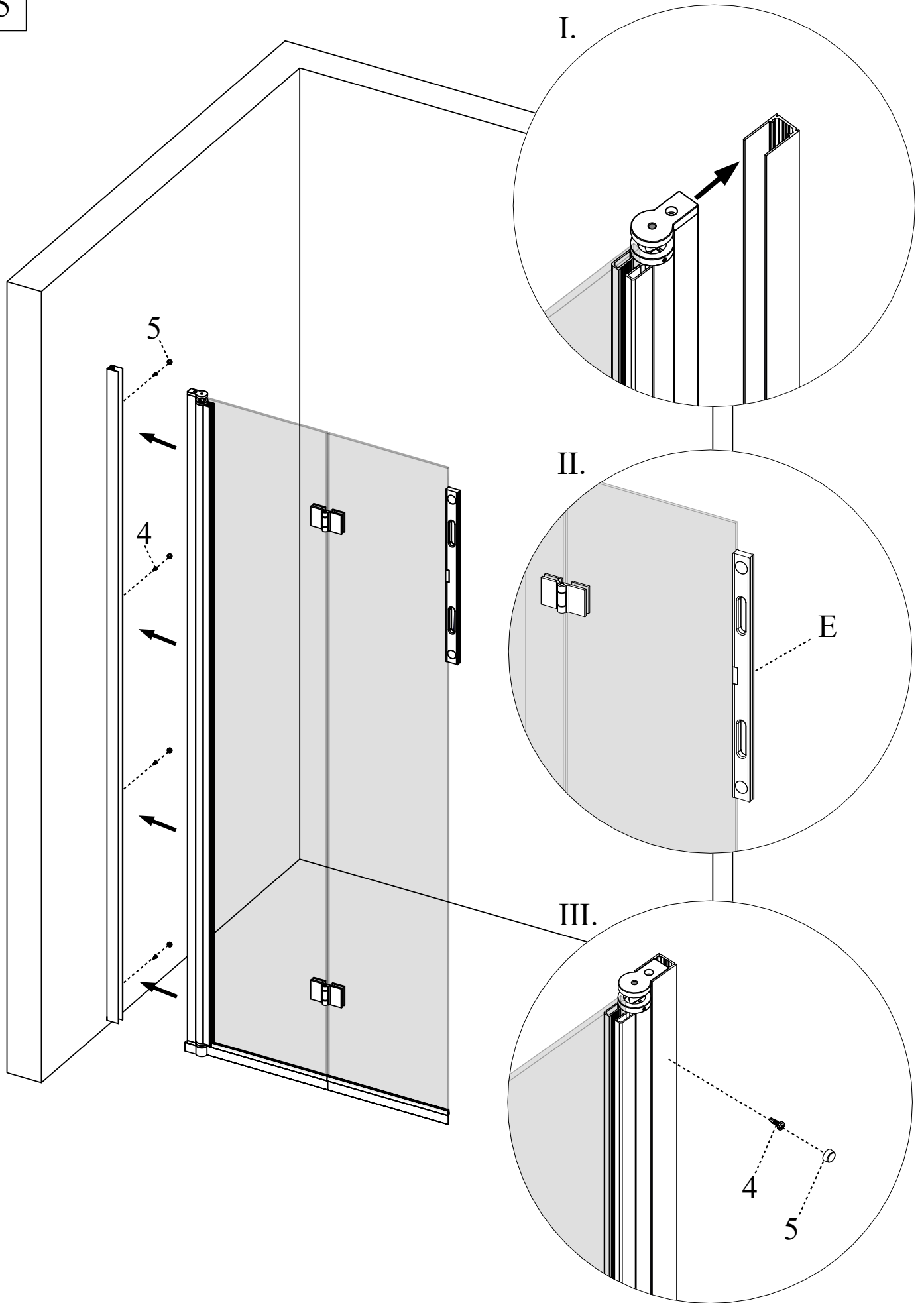




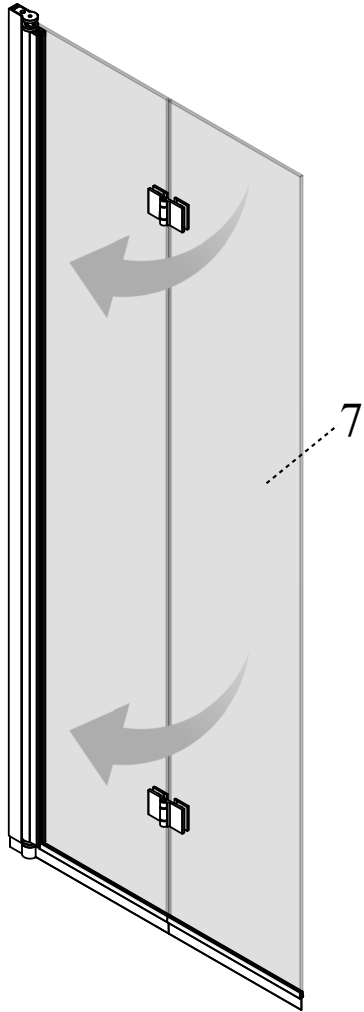
4



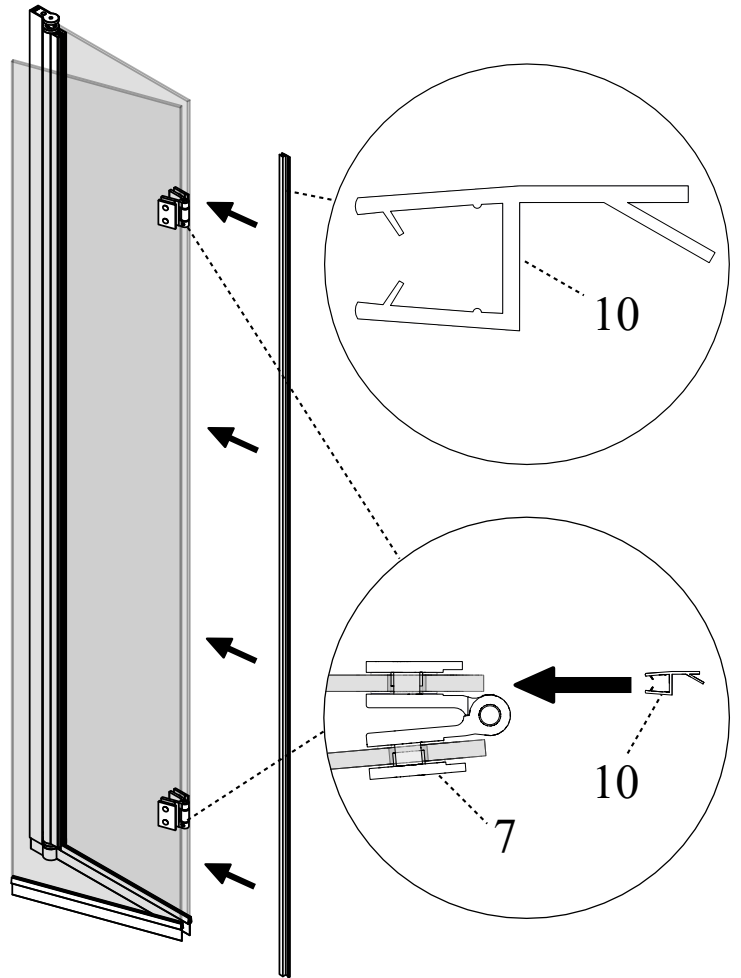
5



I.



II.



7

